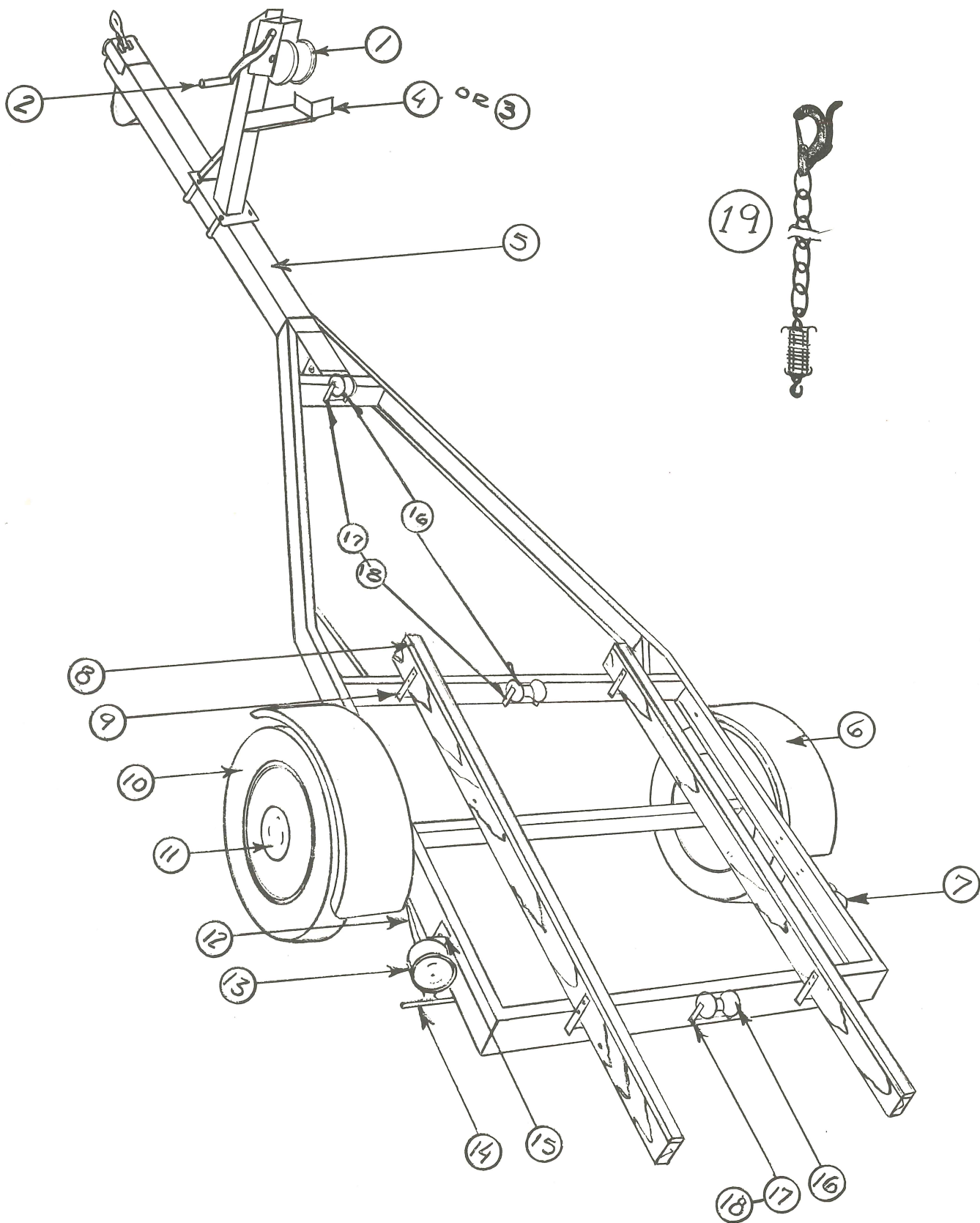


50 Trailer

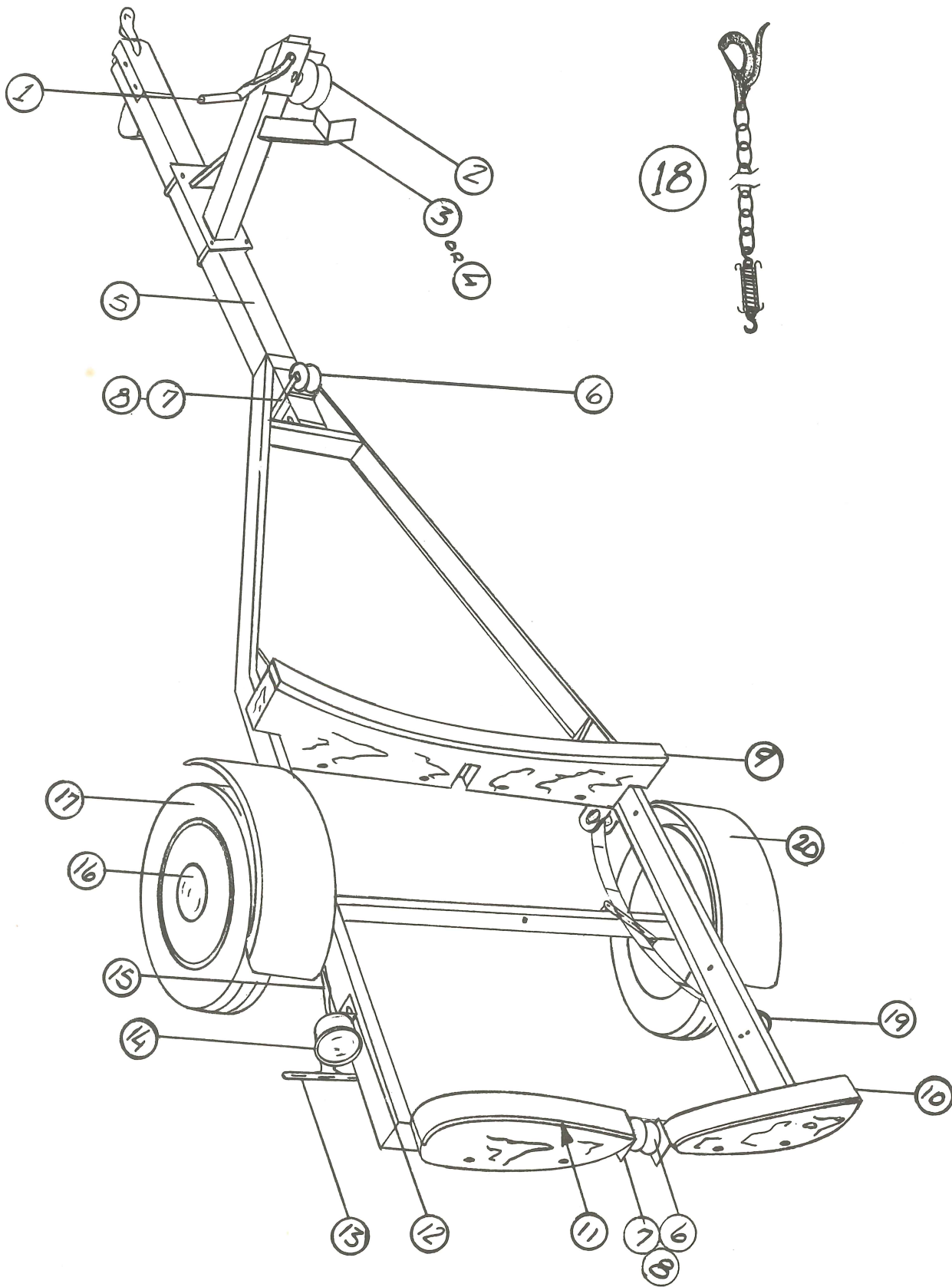


50 Trailer

REF. NO.	PART NUMBER	HARDWARE
1	24323	Fulton Winch #228
2	24318	Fulton Winch Handle #228
3	24295	Bow Roller 3"
4	24338	Bow Vee Block
5	24369	Trailer Tongue - 7" - 3" x 4"
6	24366	Fender 8"
7	24312	Tail Light
8	24334	Upright Bolster 42"
9	24343	Bracket Bolster Standard
10	24258	Tire & Wheel Assembly 430 x 8
11	24259	Hub Cap 8"
12	24313	Tail Light Wire (Pig Tail)
13	24321	Tail Light Assembly (Illuminates Plate)
14	24322	License Plate Bracket
15	24339	Tail Light Mounting Bracket
16	24296	Keel Roller 4"
17	24300	Slotted Bracket Roller - 4"
18	24306	Pin Roller With Lock 4"
19	24315	Tie Down Standard

50 Trailer

S-50 Trailer

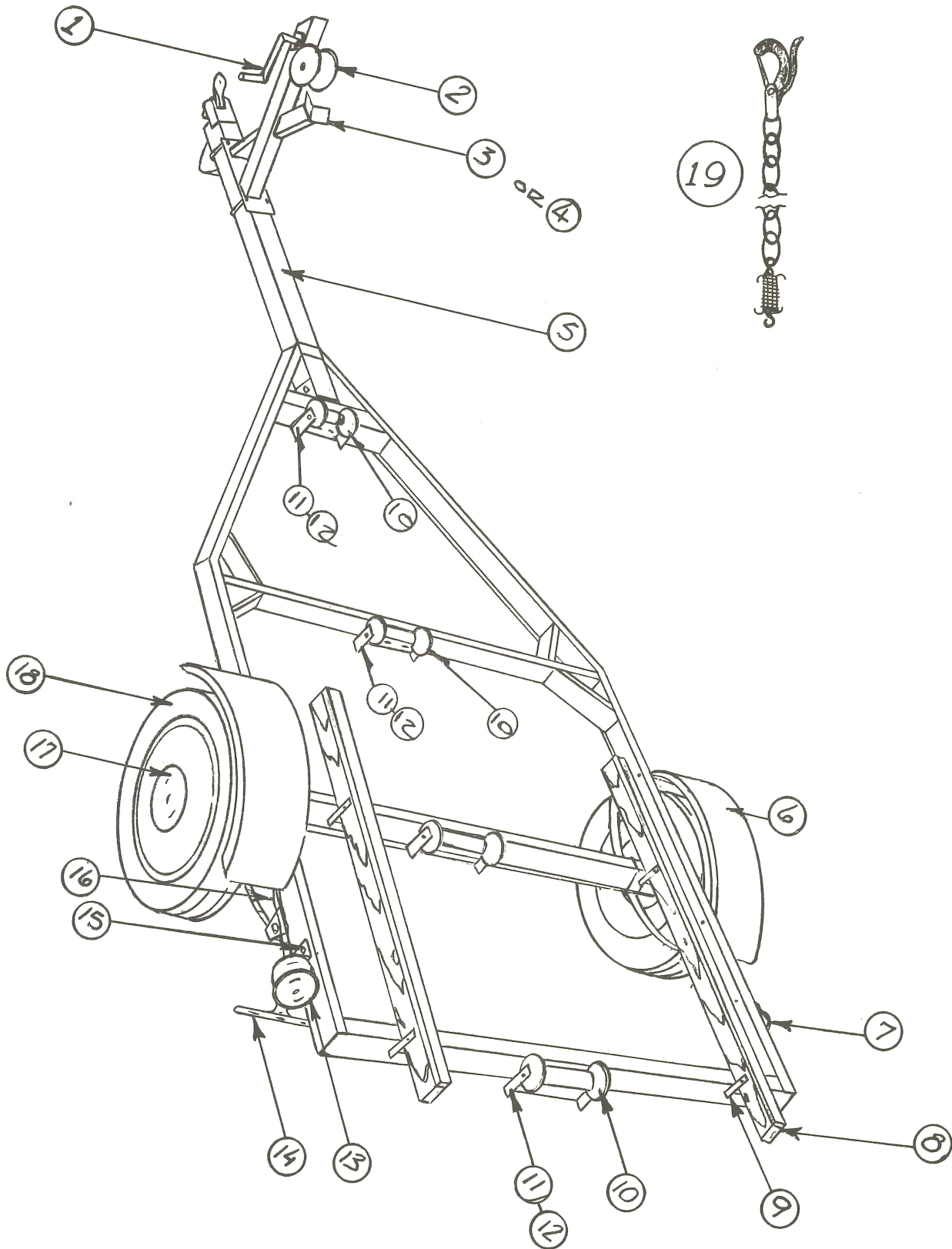


S-50 Trailer

REF. NO.	PART NUMBER	HARDWARE
1	24318	Fulton Winch Handle #228
2	24323	Fulton Winch #228
3	24338	Bow Vee Block
4	24295	Bow Roller 3"
5	24368	Trailer Tongue 7' - 3" x 3"
6	24296	Keel Roller 4"
7	24300	Slotted Bracket Roller 4"
8	24306	Pin Roller With Lock 4"
9	812319	Forward Bolster Assembly
10	812321	Aft Bolster Assembly - Port
11	812322	Aft Bolster Assembly - St'Bd.
12	24339	Tail Light Mounting Bracket
13	24322	License Plate Bracket
14	24321	Tail Light Assembly (Illuminates License Plate)
15	24313	Tail Light Wire (Pig Tail)
16	24259	Hub Cap 8"
17	24258	Tire & Wheel Assembly 480 x 8
18	24315	Tie Down (Standard)
19	24312	Tail Light
20	24366	Fender 8"

S-50 Trailer

100 Trailer

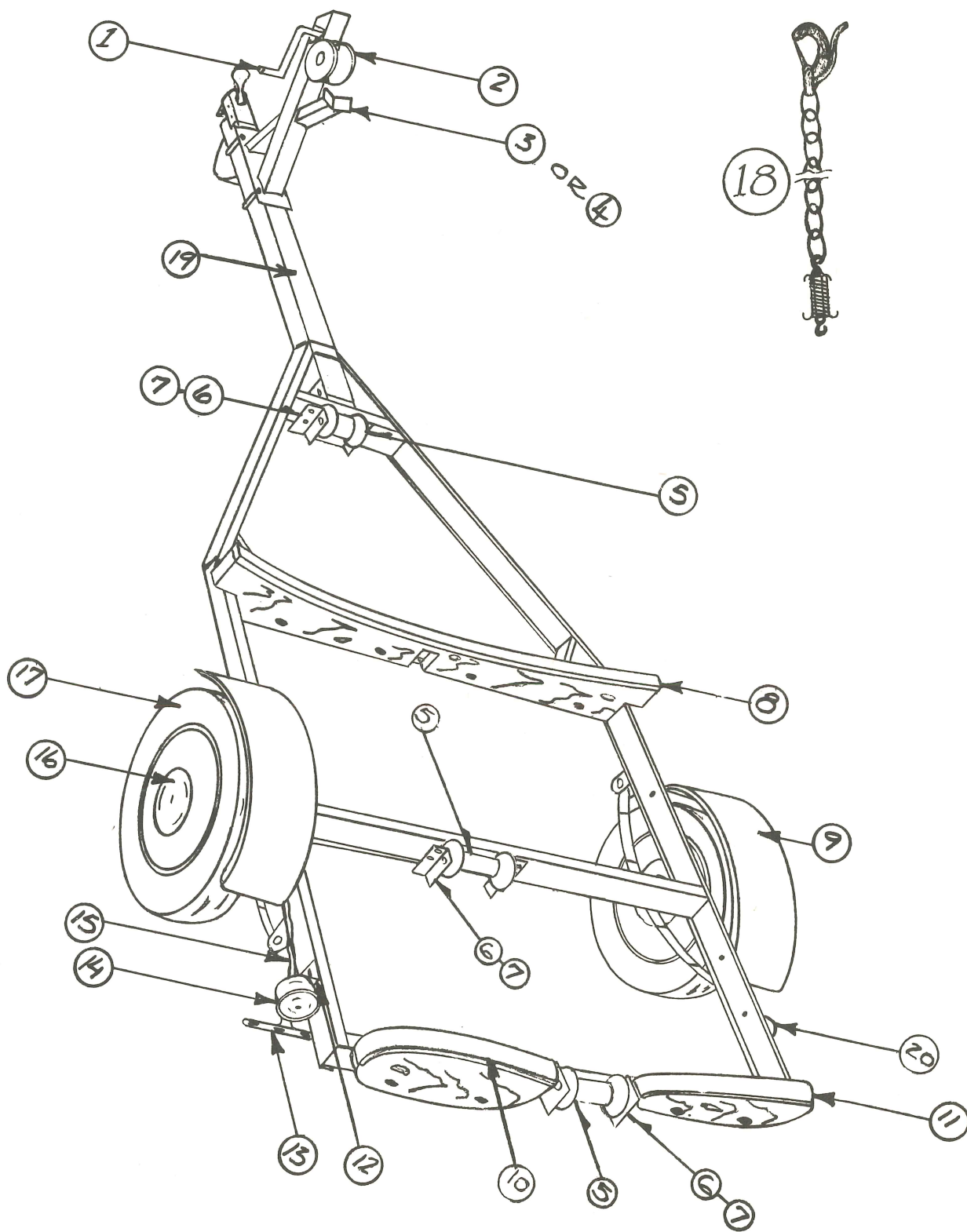


100 Trailer

REF. NO.	PART NUMBER	HARDWARE
1	24318	Fulton Winch Handle #228
2	24323	Fulton Winch #228
3	24338	Bow Vee Block
4	24295	Bow Roller 3"
5	24341	Trailer Tongue 8'
6	24367	Fender 12"
7	24312	Tail Light
8	24334	Upright Bolster 42"
9	24343	Bolster Bracket Standard
10	24296	Keel Roller 4"
11	24300	Slotted Roller Bracket 4"
12	24306	Pin Roller With Lock 4"
13	24321	Tail Light Assembly (Illuminates Plate)
14	24322	License Plate Bracket
15	24339	Tail Light Mounting Bracket
16	24312	Tail Light Wire (Pig Tail)
17	24289	Hub Cap 12"
18	24260	Tire & Wheel Assembly 400 x 12
19	24315	Tie Down Standard

100 Trailer

S-100 Trailer

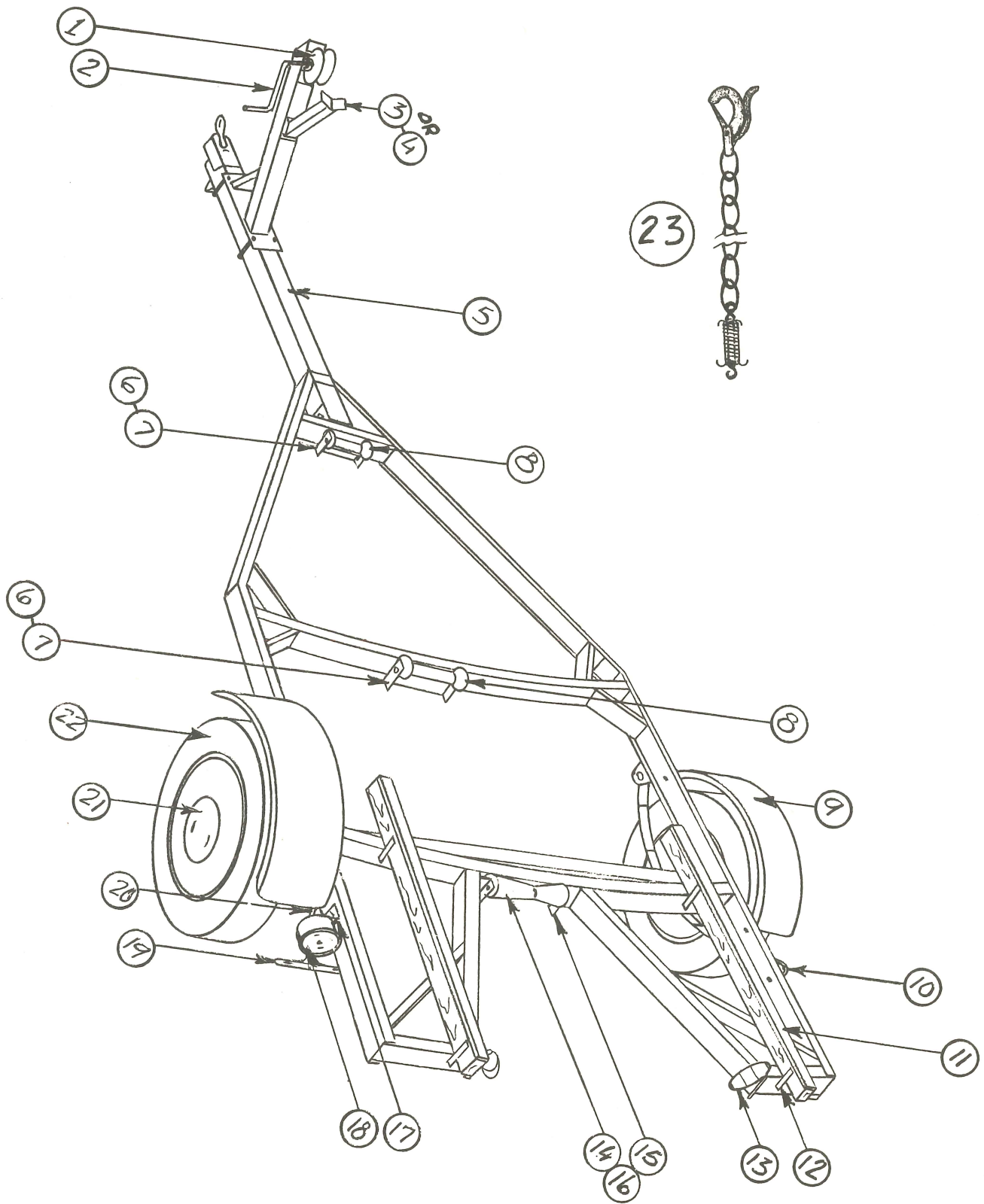


S-100 Trailer

REF. NO.	PART NUMBER	HARDWARE
1	24318	Fulton Winch Handle #228
2	24323	Fulton Winch #228
3	24338	Bow Vee Block
4	24295	Bow Roller 3"
5	24296	Keel Roller 4"
6	24300	Slotted Bracket Roller 4"
7	24306	Pin Roller With Lock 4"
8	812320	Bolster Assembly Forward
9	24367	Fender 12"
10	812323	Aft Bolster Assembly – Port
11	821324	Aft Bolster Assembly – St'Bd.
12	24329	Tail Light Mounting Bracket
13	24322	License Plate Bracket
14	24321	Tail Light Assembly (Illuminates Plate)
15	24313	Tail Light Wire (Pig Tail)
16	24289	Hub Cap 12"
17	24260	Tire & Wheel Assembly 400 x 12
18	24315	Tie Down (Standard)
19	24341	Trailer Tongue 8'
20	24312	Tail Light

S-100 Trailer

130 Trailer

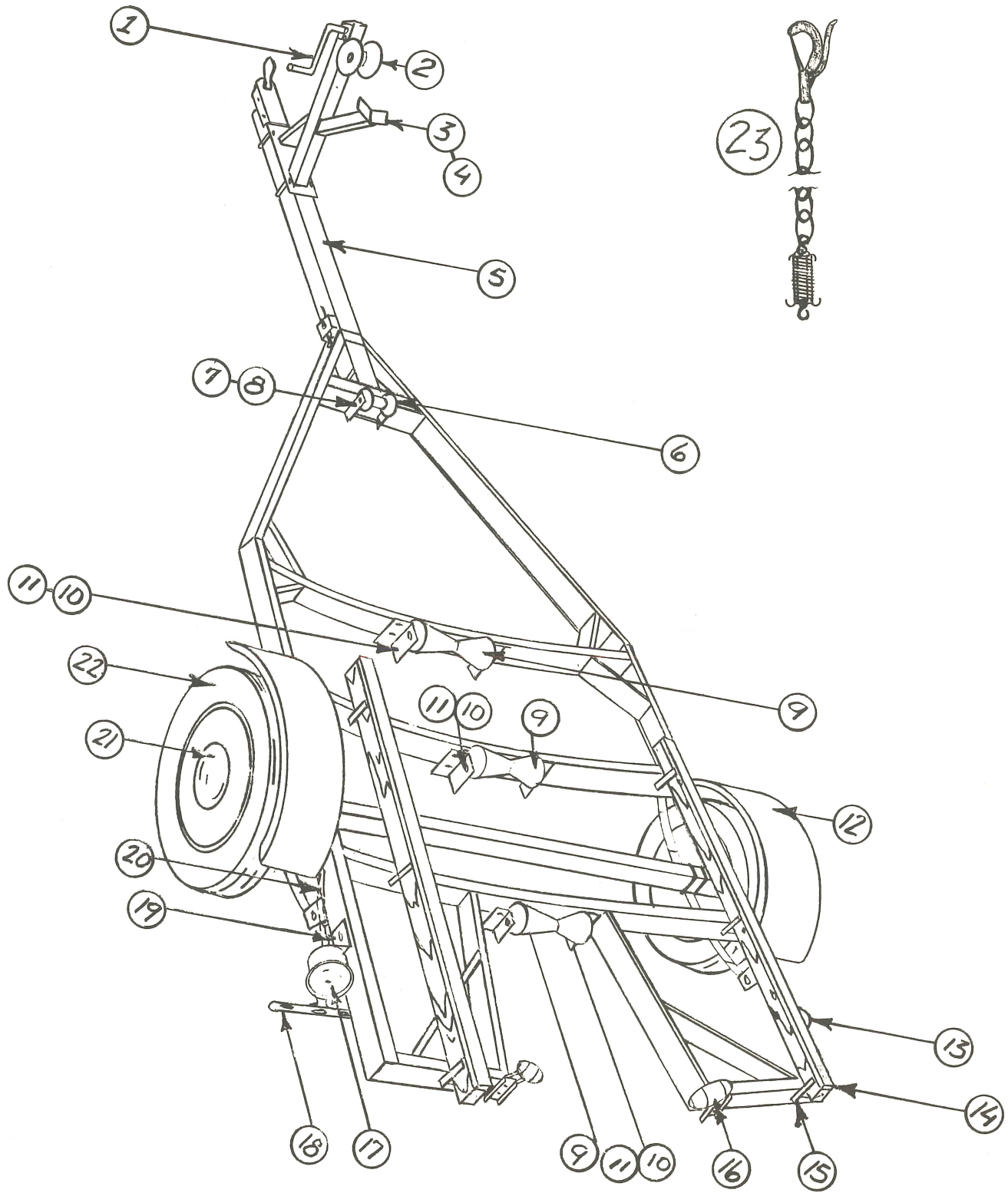


130 Trailer

REF. NO.	PART NUMBER	HARDWARE
1	24324	Fulton Winch #542
2	24319	Fulton Winch Handle #542
3	24338	Bow Vee Block
4	24295	Bow Roller 3"
5	24369	Trailer Tongue - 7' - 3" x 4"
6	24302	Slotted Bracket Roller 8"
7	24308	Pin Roller With Lock 8"
8	24298	Keel Roller
9	24367	Fender 12"
10	24312	Tail Light
11	24334	Upright Bolster 42"
12	24344	High Lift Bolster Bracket
13	24317	Roller Guide & Bracket
14	24299	Keel Roller 12"
15	24303	Slotted Bracket Roller 12"
16	24346	Pin Roller With Lock 12"
17	24339	Tail Light Mounting Bracket
18	24321	Tail Light Assembly (Illuminates License Plate)
19	24322	License Plate Bracket
20	24312	Tail Light Wire (Pig Tail)
21	24289	Hub Cap 12"
22	24260	Tire & Wheel Assembly 400 x 12
23	24315	Tie Down (Standard)

130 Trailer

180 Trailer

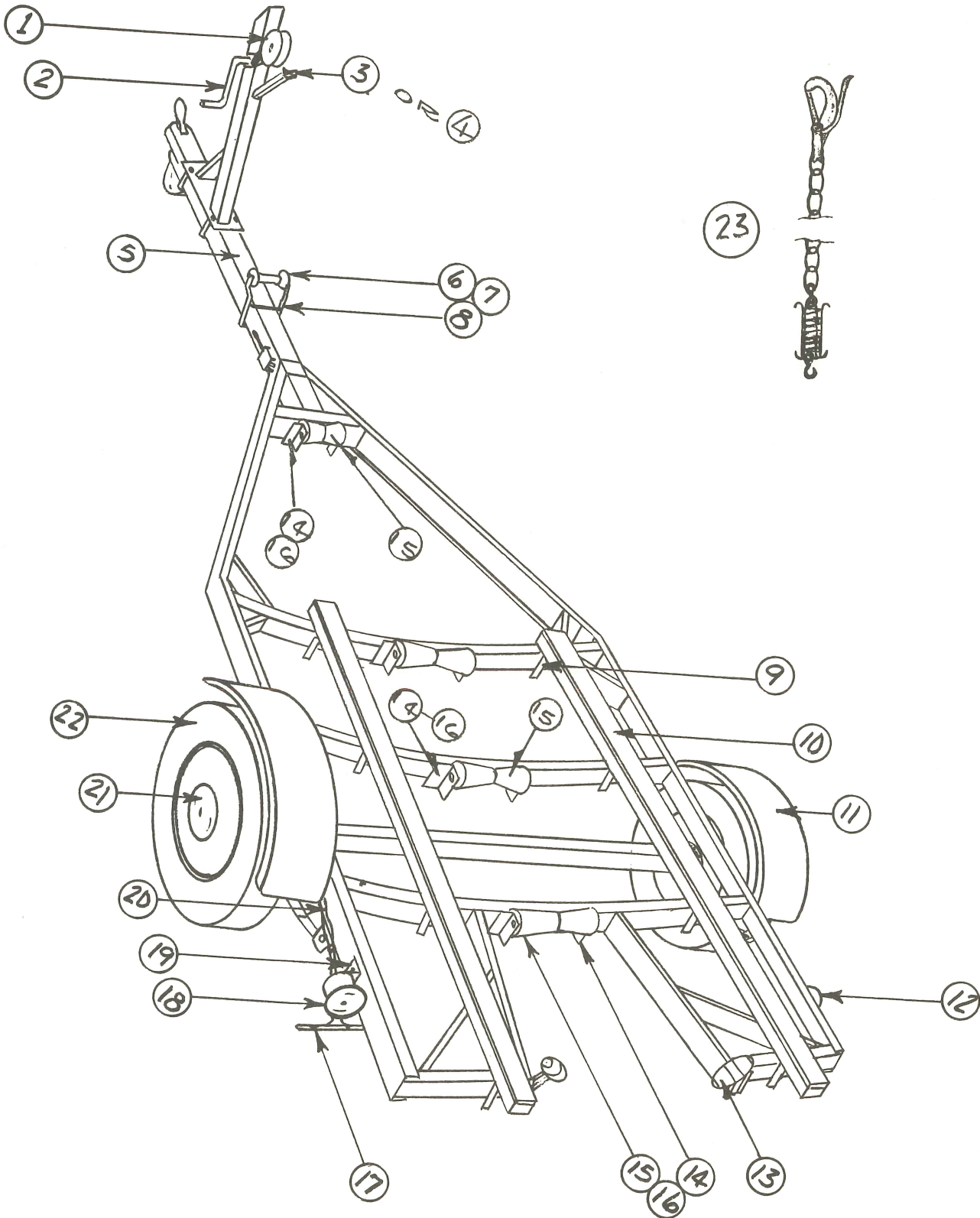


180 Trailer

REF. NO.	PART NUMBER	HARDWARE
1	24320	Fulton Winch Handle #594
2	24325	Fulton Winch #594
3	24338	Bow Vee Block
4	24295	Bow Roller 3"
5	24369	Trailer Tongue 7' - 3" x 4"
6	24298	Keel Roller 8"
7	24302	Slotted Roller Bracket 8"
8	24308	Pin Roller With Lock 8"
9	24299	Keel Roller 12"
10	24303	Slotted Roller Bracket 12"
11	24346	Pin Roller With Lock 12"
12	24292	Fender 13"
13	24312	Tail Light
14	24335	Upright Bolster 54"
15	24344	High Lift Bolster Bracket
16	24317	Roller Guide & Bracket
17	24321	Tail Light Assembly (Illuminates License Plate)
18	24322	License Plate Bracket
19	24339	Tail Light Mounting Bracket
20	24313	Tail Light Wire (Pig Tail)
21	24290	Hub Cap 13"
22	24261	Tire & Wheel Assembly 650 x 13
23	24315	Tie Down (Standard)

180 Trailer

200 Trailer



200 Trailer

REF. NO.	PART NUMBER	HARDWARE
1	24324	Fulton Winch #542
2	24319	Fulton Winch Handle #542
3	24338	Bow Vee Block
4	24295	Bow Roller 3"
5	24369	Trailer Tongue - 7' - 3" x 4"
6	24297	Keel Roller 5"
7	24301	Slotted Roller Bracket 5"
8	24307	Pin Roller With Lock 5"
9	24345	Flat Bolster Bracket
10	24337	Flat Bolster 72"
11	24293	Fender 14"
12	24312	Tail Light
13	24317	Roller Guide & Bracket
14	24303	Slotted Roller & Bracket 12"
15	24299	Keel Roller 12"
16	24346	Pin Roller With Lock 12"
17	24322	License Plate Bracket
18	24321	Tail Light Assembly Illumintes Plate
19	24339	Tail Light Mounting Bracket
20	24313	Tail Light Wire (Pig Tail)
21	24291	Hub Cap 14"
22	24262	Tire & Wheel Assembly 775 x 14
23	24315	Tie Down Standard

200 Trailer

"C-300 TRAILER"

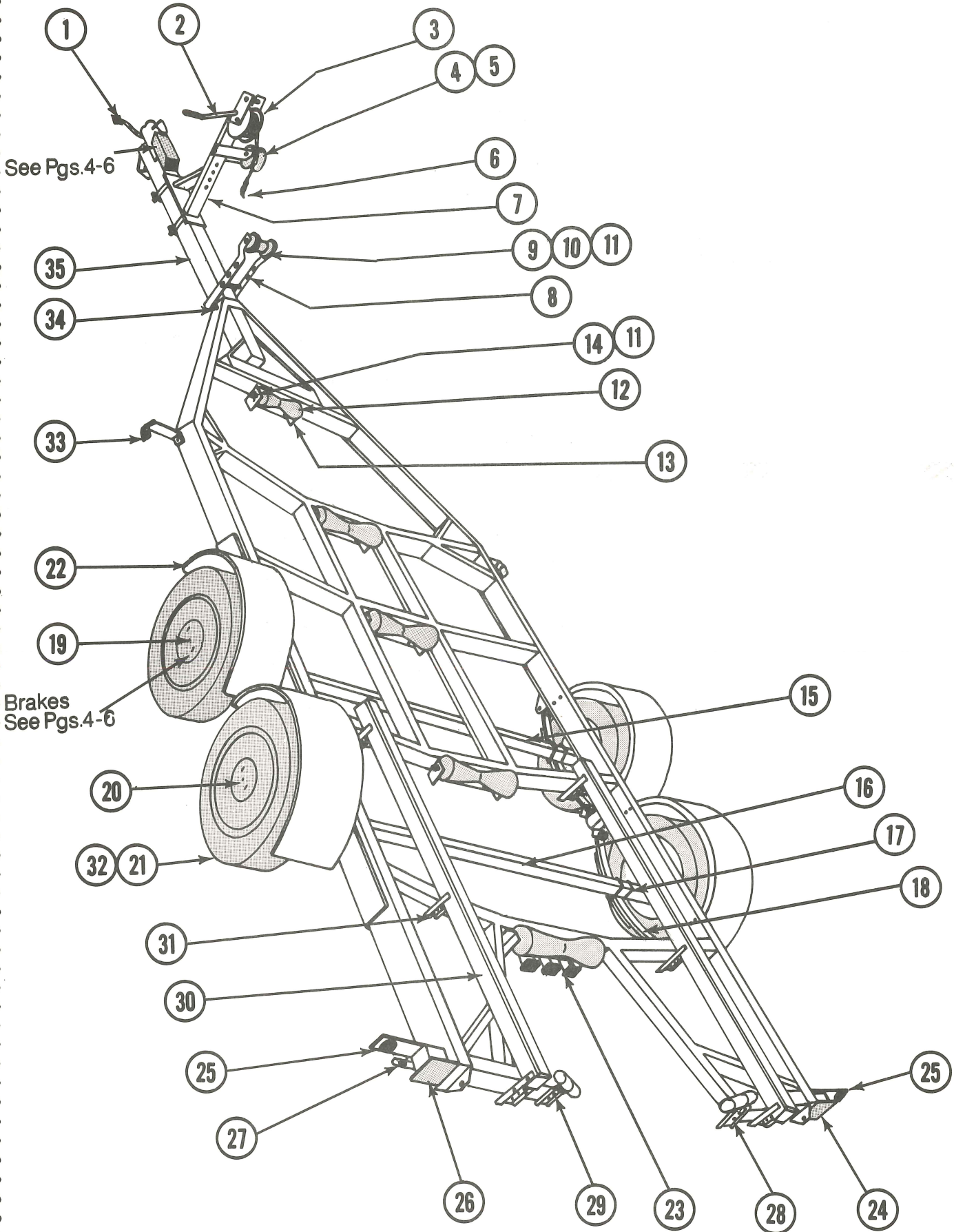
CONTENTS

<u>Page No.</u>	<u>Item</u>
2	View of Trailer
3	Parts Listing - Consisting of Reference Number, Part Number, Description and Quantity. Order Parts on Pages 4 through 6 from: Atwood Mobile Products Division 4750 Hiawatha Drive Rockford, Illinois 61101
4	Detail of Atwood Hydraulic Brake Actuator
5	Derail of Atwood Piping Accessory Kit
5	Detail of 10" Atwood Uni-Servo Brakes
6	Detail of 7" Atwood Uni-Servo Brakes
6	List of Standard Automotive Replacement Items
3	Miscellaneous & Items Not Listed

OPTIONS

Safety Chain (26123)
Spare Tire (24261)
White Touch-Up Paint - Spray Can (85195)
Jack Stand (23204)

C-300 Trailer



C-300 Trailer

REF. NO.	PART NO.	DESCRIPTION	QTY.
1	24313	Pig Tail	1
2	24320	Fulton Winch Handle #594	1
3	24325	Fulton Winch Assembly #594	1
4	85367	Bow Winch Roller-4"	1
5	85365	Bow Winch Roller Shaft-5½"	1
6	85366	Winch Cable w/Hook	1
7	85363	Winch Stand	1
8	85368	Bow Roller	2
9	24297	Bow Roller-5"	1
10	85369	Bow Roller Shaft-7"	1
11	85370	Roller Drive Pin	12
12	24299	Keel Roller-12"	5
13	85372	Keel Roller Bracket	5
14	85371	Keel Roller Shaft-13½"	5
15	24583	Front Axle w/2 Hubs Mounted & Brake Flanges	1
16	24580	Rear Axle w/2 Hubs Mounted	1
17	85394	U-Bolts for Leaf Springs	8
18	24664	Leaf Springs	4
19	24667	Front Hub Assembly (See Below for Components)	2
19A	85092	Inner Bearings	1 Set/Hub
19B	85093	Outer Bearings	1 Set/Hub
19C	85373	Inner Race	1 Set/Hub
19D	85374	Outer Race	1 Set/Hub
19E	85375	Grease Seal	1 Set/Hub
20	85393	Rear Hub Assembly (See Below for Components)	2
20A	85092	Inner Bearings	1 Set/Hub
20B	85093	Outer Bearings	1 Set/Hub
20C	85373	Inner Race	1 Set/Hub
20D	85374	Outer Race	1 Set/Hub
20E	85375	Grease Seal	1 Set/Hub
21	24261	Tire & Wheel Assembly-775x13	4
22	85364	Fender	4
23	85381	Rear-Center Lights Group w/bracket	1
23A	85382	Rear-Center Lights Lens-Red	3
23B	85383	Rear-Center Lights Bracket	1
24	85389	Right Tail Light Assembly	1
24A	85385	Right Tail Light-Large Lens-Red	1
24B	85386	Right Tail Light-Side Lens-Red	1
25	85390	Rear Clearance Light Assembly w/bracket	2
25A	85391	Rear Clearance Light Lens-Red	1/Assembly
25B	85392	Rear Clearance Light Bracket	1/Assembly
26	85384	Left Tail Light Assembly	1
26A	85385	Left Tail Light-Large Lens-Red	1
26B	85386	Left Tail Light-Side Lens-Red	1
26C	85387	Left Tail Light-Bottom Lens-Clear	1
27	85388	License Plate Bracket	1
28	24672	Right Guide Roller & Bracket Assembly	1
29	24317	Left Guide Roller & Bracket Assembly	1
30	24336	Bolster w/cover-72"	3/Bolster
31	85376	Bolster Bracket-11½"	3/Bolster
32	24290	Hub Cap	4
33	85377	Forward Lift & Reflector Assembly w/bracket	2
33A	85254	Forward Light Lens-Amber	1/Assembly
33B	85257	Forward Reflector-Amber	1/Assembly
33C	85380	Forward Light & Reflector Bracket	1/Assembly
34	85362	Tilt Pin w/Chain	1
35	24342	Tongue Assembly - 9FT.	1
	24315	Tie Down (Now Shown) QTY. 2	

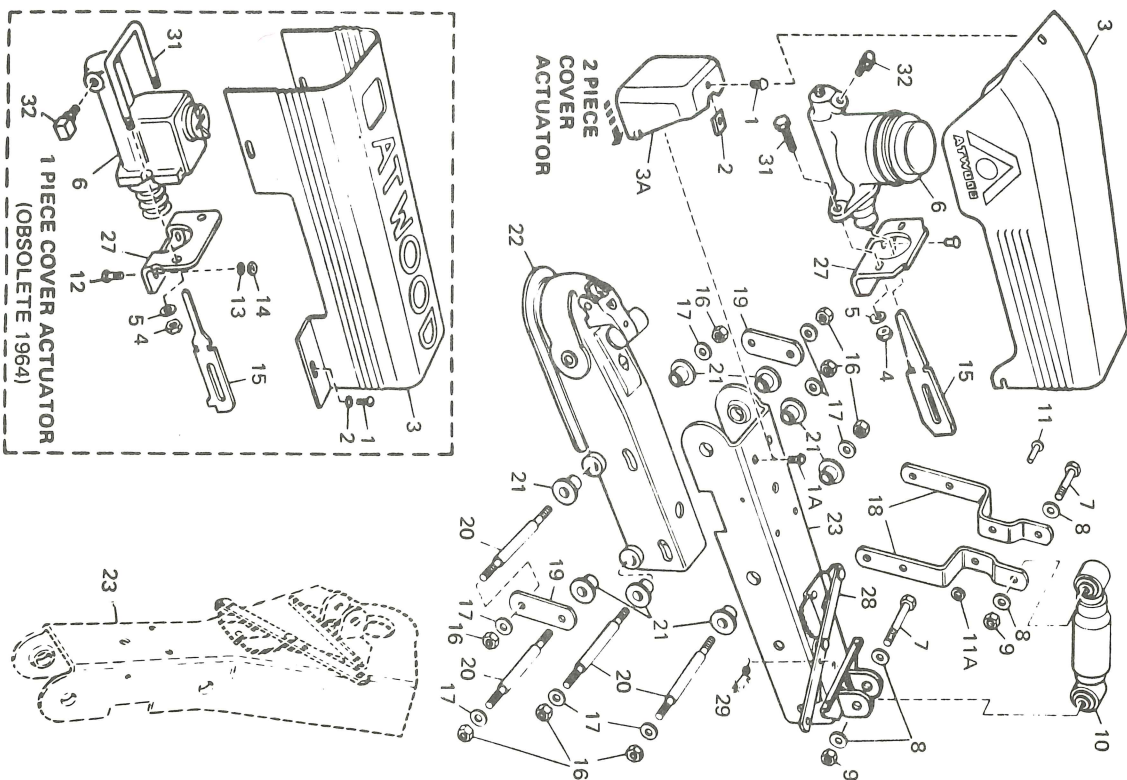
C-300 Trailer

KIT NUMBER	KIT INCLUDES	DESCRIPTION
SK-5A-1	11, 11A, 16, 21, 22	2" COUPLER REPLACEMENT KIT
SK-5A-2	11, 11A, 16, 21 & 2-1/2" LUNETTE	2 1/2" LUNETTE COUPLER REPLACEMENT KIT
SK-5A-3	11, 11A, 16, 21 & UNIVERSAL CHANNEL	UNIVERSAL CHANNEL REPLACEMENT KIT (for attaching any type of coupling device such as coupler, lunette or clevis)
SK-5A-4	7, 8, 9, 11, 11A, 16, 17, 18, 19, 20	ACTUATOR LINKAGE KIT
SK-5A-5	7, 8, 9, 10	SHOCK ABSORBER KIT
SK-5A-6	28, 29	BREAKAWAY LEVER ASSEMBLY KIT (Kit also includes (1) Breakaway Lever Chain, (2) 1/4" -20 x 3/4" Bolts, (2) 1/4" -20 Hexnuts and (2) 1/4" Lockwashers not shown)
SK-5A-7	1, 2, 3	1 PIECE COVER REPLACEMENT KIT (50° A-frame)
SK-5A-8	1, 2, 3	1 PIECE COVER REPLACEMENT KIT (straight tongue)
SK-5A-9	1, 3	2 PIECE COVER REPLACEMENT KIT
SK-5A-10	21	BEARING REPLACEMENT KIT (for 1 piece cover actuators only)
SK-5A-11	21	BEARING REPLACEMENT KIT (for 2 piece cover actuators only)
SK-5A-12	6, 15, 32	MASTER CYLINDER KIT (for 1 piece cover actuators only)
SK-5A-13 (1)	6, 15, 32	MASTER CYLINDER KIT (for 2 piece cover actuators only)
SK-5A-14 (2)	(Not Illustrated)	MASTER CYLINDER REBUILDING KIT (for 1 piece cover actuators only)
SK-5A-15 (3)	(Not Illustrated)	MASTER CYLINDER REBUILDING KIT (for 2 piece cover actuators only)

- (1) Standard Automotive Item: Wagner No. FE-58591
- (2) Standard Automotive Item: Wagner No. FC-33108; Bendix No. 616139
- (3) Standard Automotive Item: Wagner No. FC-13634; Bendix No. 617055

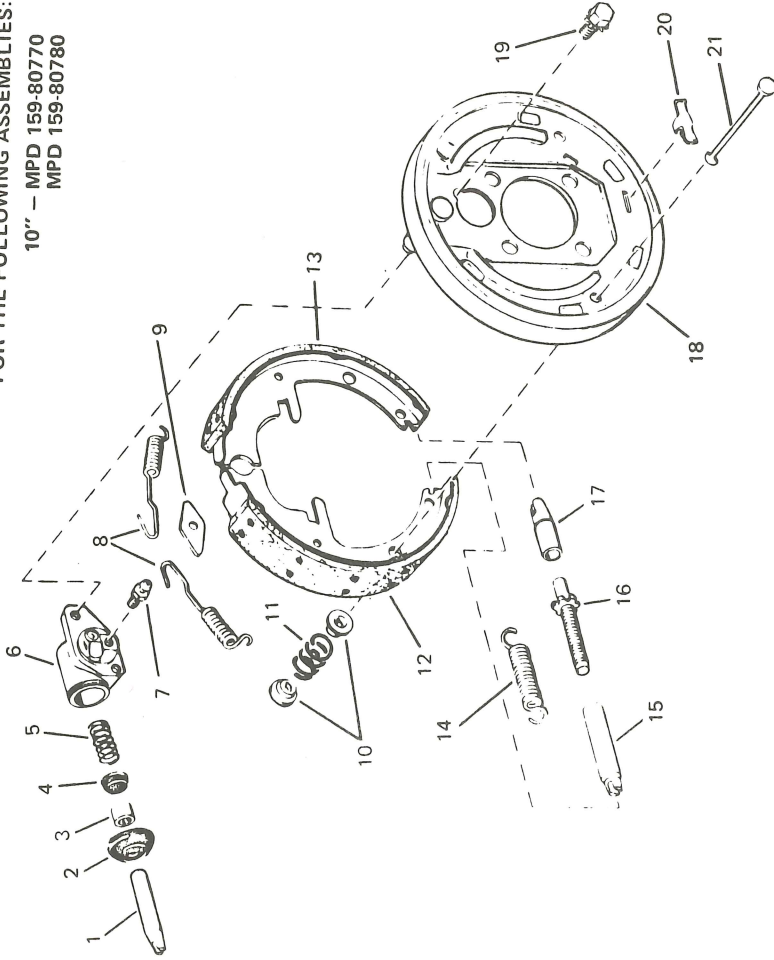
**NOTE: ORDER THESE REPLACEMENT PARTS FROM -
ATWOOD MOBILE PRODUCTS DIVISION
4750 HIAWATHA DRIVE
ROCKFORD, ILLINOIS 61101**

ATWOOD HYDRAULIC BRAKE ACTUATOR

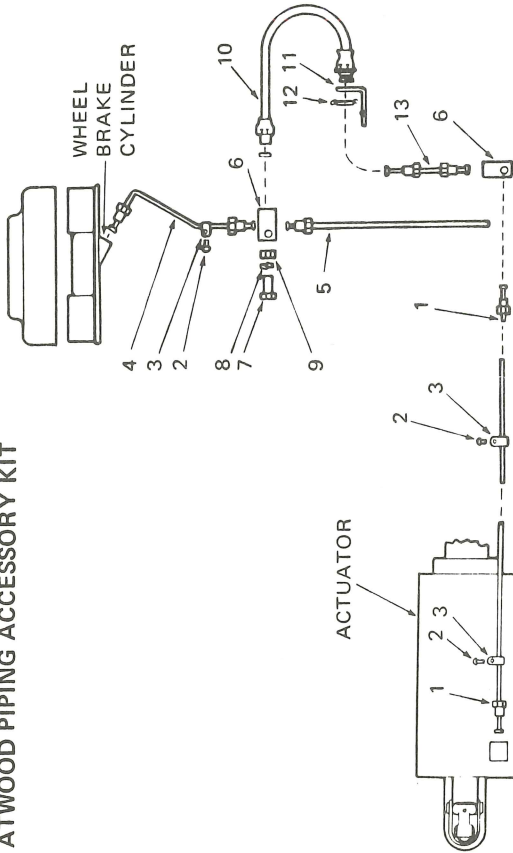


10" ATWOOD UNI-SERVO BRAKES

FOR THE FOLLOWING ASSEMBLIES:
 10" - MPD 159-80770
 MPD 159-80780



ATWOOD PIPING ACCESSORY KIT



PART NUMBER	KEY	DESCRIPTION
16419	1	3/16" Steel Tubing - 15'
16638	2	8-32 x 1/2 Self Tapping Screw
16200	3	Tube Clamp - Tinnerman C-2980-3-S
16417	4	3/16" Steel Tubing - 16-1/2"
16418	5	3/16" Steel Tubing - 65-1/2"
20187	6	Tee - Weatherhead 114-1472
6121	7	Bolt - 5/16 - 18-5/8
1651	8	Lockwasher - 5/16 Std.
6830	9	Nut - 5/16 - 18
16196	10	Hose - Weatherhead - 3H-11146
16197	11	Frame Bracket
16198	12	Clip - Weatherhead - 112-05011
16703	13	3/16" Steel Tubing - 4"

KIT NUMBER	KIT INCLUDES	DESCRIPTION
SK-10-1 (1)(2)	6, 19	WHEEL CYLINDER KIT (for one axle)
SK-10-2 (3)	1, 2, 3, 4, 5	WHEEL CYLINDER REPAIR KIT (recommend replacement in pairs)
SK-10-3	12, 13	BRAKE SHOE AND LINING KIT (for one axle)
SK-10-4	10, 11, 14, 18, 21	BRAKE SHOE SPRING AND HOLD DOWN KIT (for one axle)

**NOTE: ORDER THESE REPLACEMENT PARTS FROM -
 ATWOOD MOBILE PRODUCTS DIVISION
 4750 HIAWATHA DRIVE
 ROCKFORD, ILLINOIS 61101**

C-300 Trailer

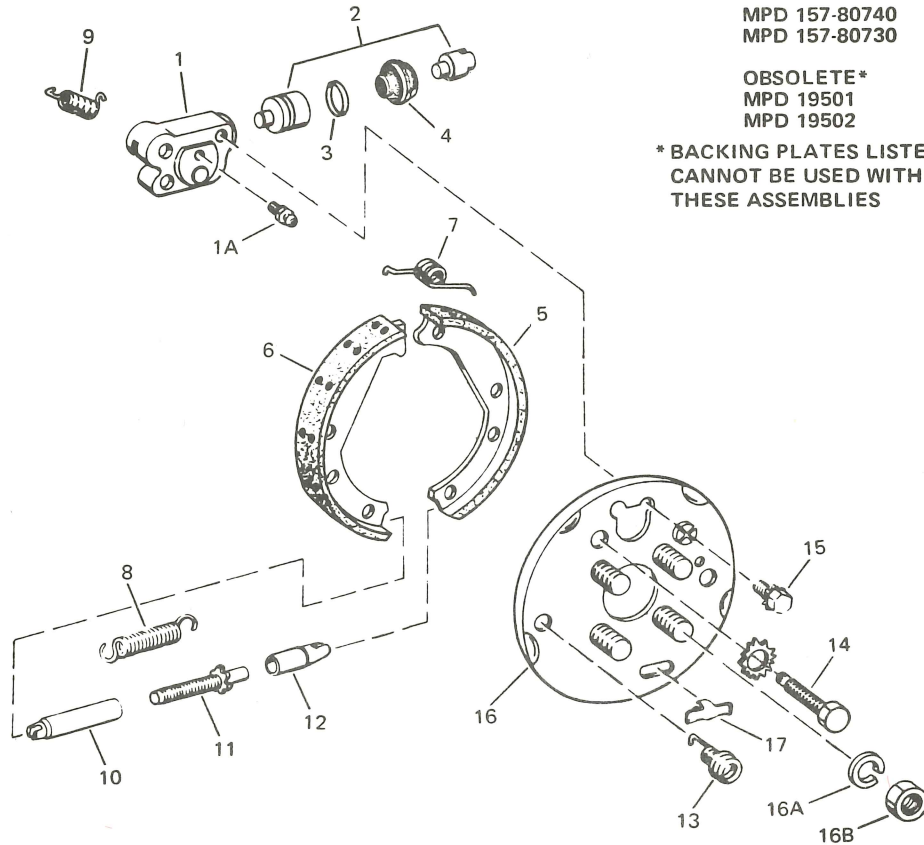
7" ATWOOD UNI-SERVO BRAKES

SERVICE KITS & PARTS FOR THE FOLLOWING ASSEMBLIES:

MPD 157-80740
MPD 157-80730

OBSOLETE*
MPD 19501
MPD 19502

*BACKING PLATES LISTED CANNOT BE USED WITH THESE ASSEMBLIES



KIT NUMBER	KIT INCLUDES	DESCRIPTION
SK-7-1	1, 1A, 14, 15	WHEEL CYLINDER KIT (for one axle)
SK-7-2	2, 3, 4	WHEEL CYLINDER REPAIR KIT (recommend replacement in pairs)
SK-7-3	5, 6	SHOE AND LINING KIT (for one axle)
SK-7-4	7, 3, 9, 13	SPRING KIT (for one axle)



STANDARD AUTOMOTIVE REPLACEMENT ITEMS

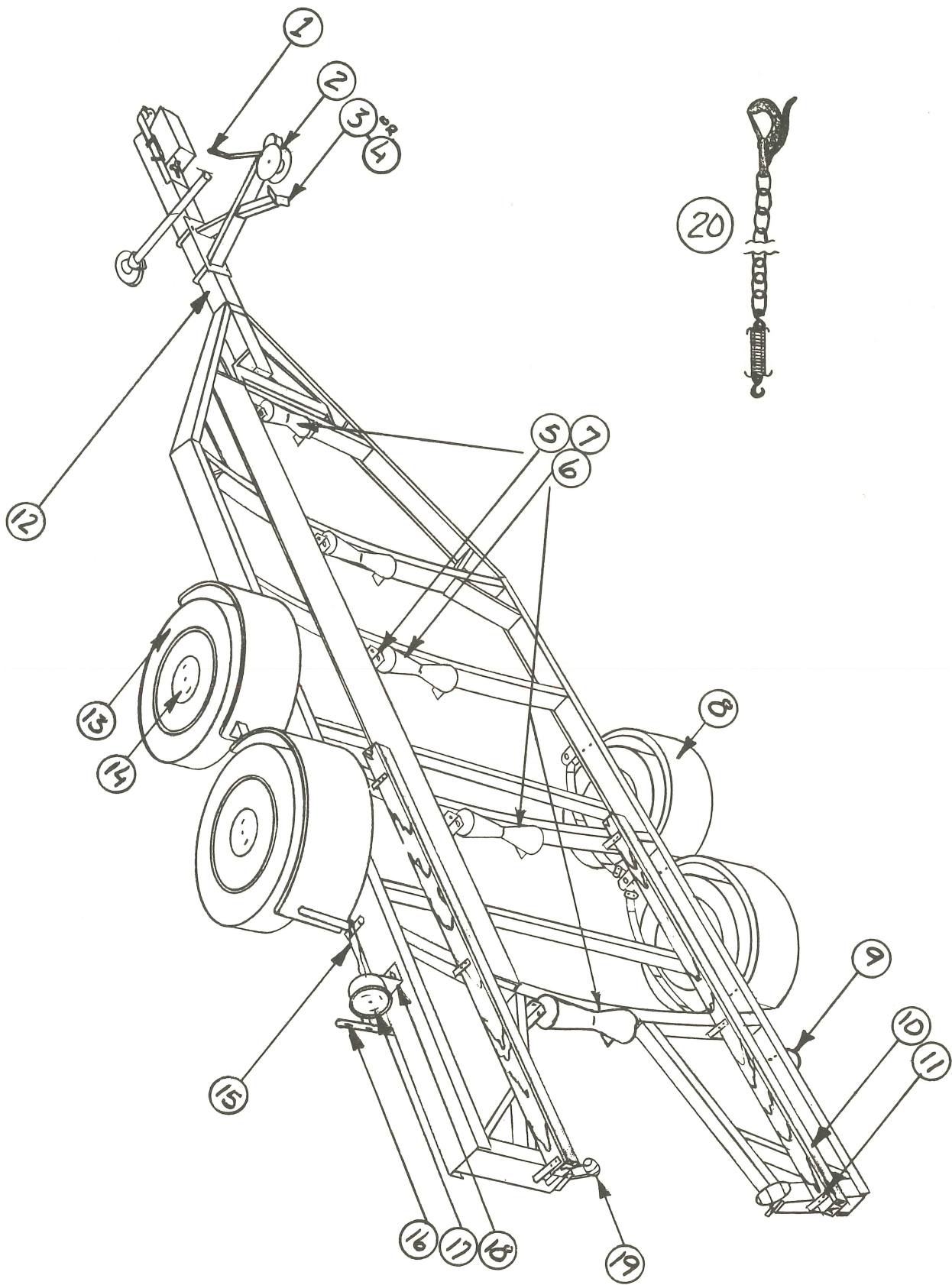
(may be substituted for repair kits where indicated)

- (1) WHEEL CYLINDER R. H. - Wagner No. FD-39895; Bendix No. 617856
- (2) WHEEL CYLINDER L. H. - Wagner No. FD-39894; Bendix No. 617855
- (3) WHEEL CYLINDER REBUILDING KIT - Wagner No. FC-46379
- (4) ADJUSTMENT SCREW & PIVOT NUT - Bendix No. 42190
ADJUSTMENT SCREW SOCKET - Bendix No. 48032

**NOTE: ORDER THESE REPLACEMENT PARTS FROM -
ATWOOD MOBILE PRODUCTS DIVISION
4750 HIAWATHA DRIVE
ROCKFORD, ILLINOIS 61101**

C-300 Trailer

400 Trailer

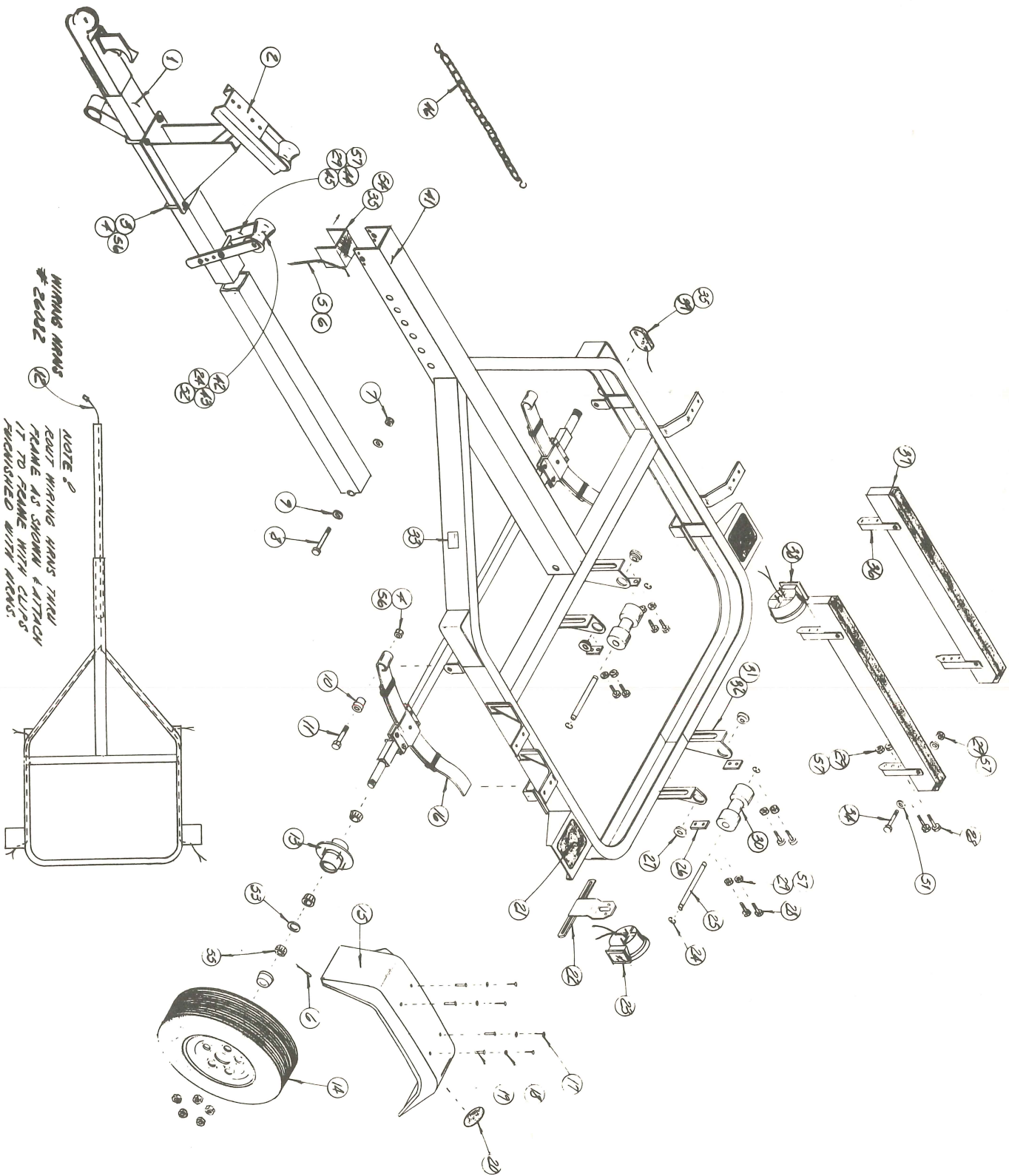


400 Trailer

REF. NO.	PART NUMBER	HARDWARE
1	24320	Fulton Winch Handle #594
2	24325	Fulton Winch #594
3	24338	Bow Vee Block
4	24295	Bow Roller 3"
5	24303	Slotted Bracket Roller 12"
6	24299	Keel Roller 12"
7	24346	Pin Roller With Lock 12"
8	24293	Fender 14"
9	24312	Tail Light
10	24336	Upright Bolster 72"
11	24334	High Lift Bolster Bracket
12	24342	Trailer Tongue 9'
13	24262	Tire & Wheel Assembly 775 x 14
14	24291	Hub Cap 14"
15	24313	Tail Light Wire (Pig Tail)
16	24322	License Plate Bracket
17	24321	Tail Light Assembly (Illuminates License Plate)
18	24339	Tail Light Mounting Bracket
19	24317	Roller Guide & Bracket
20	24315	Tie Down (Standard)

400 Trailer

500 Trailer

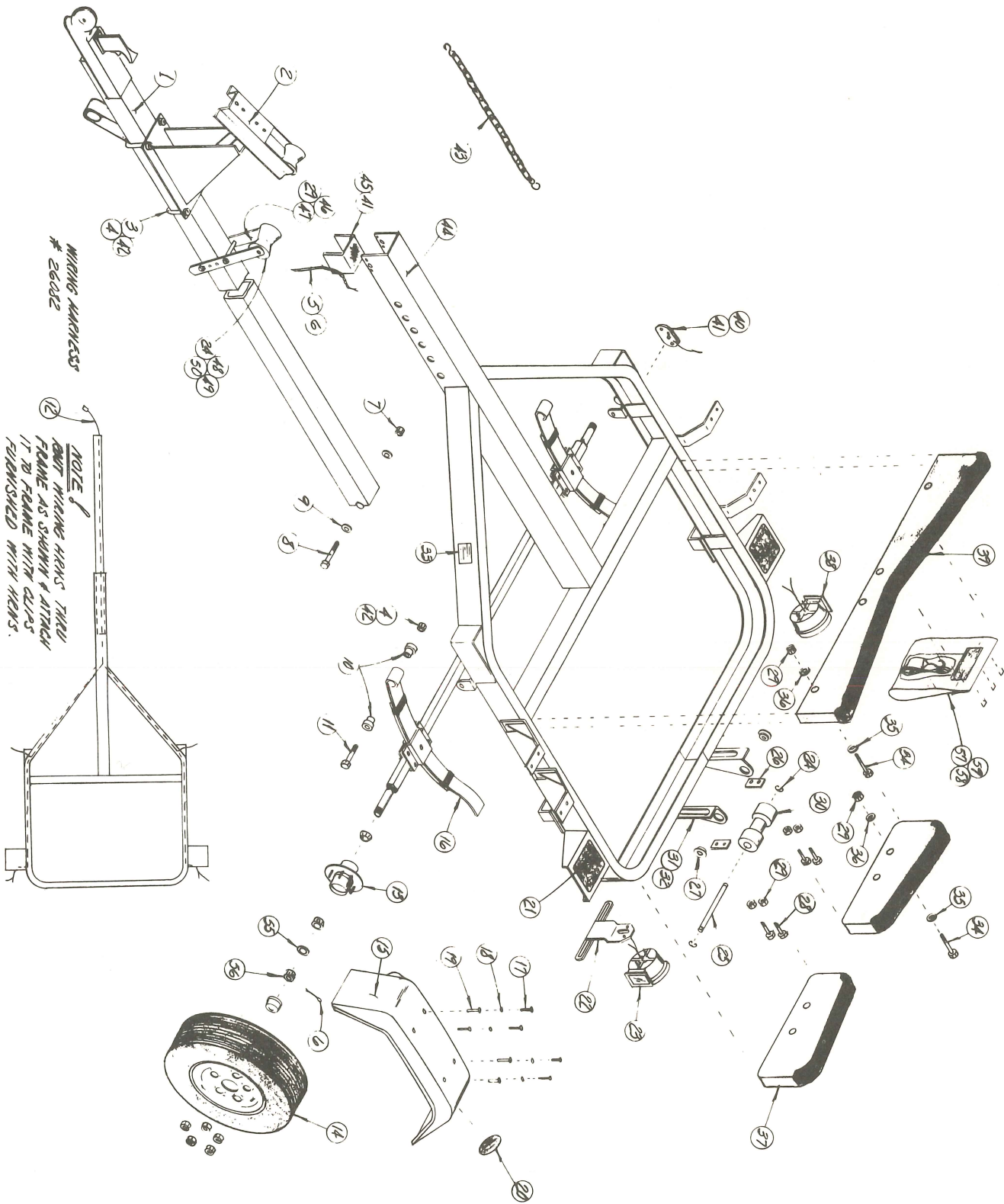


500 Trailer

REF. NO.	PART NO.	HARDWARE	QTY.
1	814268	Tongue Assembly	1
2	810735	Winch Stand Assembly	1
3	31632	U-Blot	2
4	31290	Hex Nut	6
5	814200	Lock Pin Assembly	1
6	21439	Cotter Pin	2
7	31637	Lock Nut	1
8	31635	Screw Cap	1
9	31131	Washer	2
10	21014	Bushing	4
11	31289	Screw Cap	2
12	26082	Wiring Harness	1
13	26051	Hub Wheel	2
14	26065	Wheel and Tire	2
15	814066	Fender Assembly	2
16	814267	Axle and Spring Assembly	1
17	31783	Machine Screw	8
18	31784	Washer	8
19	31710	Well Nut	8
20	24740	Chrysler Emblem	2
21	820949	Step Pad	2
22	26005	Bracket	1
23	26014	Tail Light With License Light	1
24	31607	Ring	6
25	90009	Roller Pin	2
26	830037	Plate - Roller Bracket	4
27	26047	Roller Bushing	4
28	31287	Screw Cap	16
29	31280	Nut Hex	22
30	26043	Roller	2
31	830036	Roller Bracket - Right	2
32	830035	Roller Bracket - Left	2
33	26076	Trailer Capacity Plate	1
34	31275	Screw Cap	4
35	31519	Rivet	6
36	830091	Bolster Bracket	4
37	814189	Bolster Assembly	2
38	26002	Tail Light	1
39	26162	Light	2
41	814240	Frame Assembly	1
42	22676	Roller	1
43	90008	Roller Pin	1
44	830279	Roller Bracket	2
45	31278	Screw Cap	2
46	23026	Safety Chain	1
51	31252	Washer	8
52	31561	Washer	2
53	31794	Bushing Spindle	2
54	826416	Tongue Guide Liner	1
55	31793	Nut	2
56	31223	Washer	6
57	31281	Washer	22

500 Trailer

S-500 Trailer

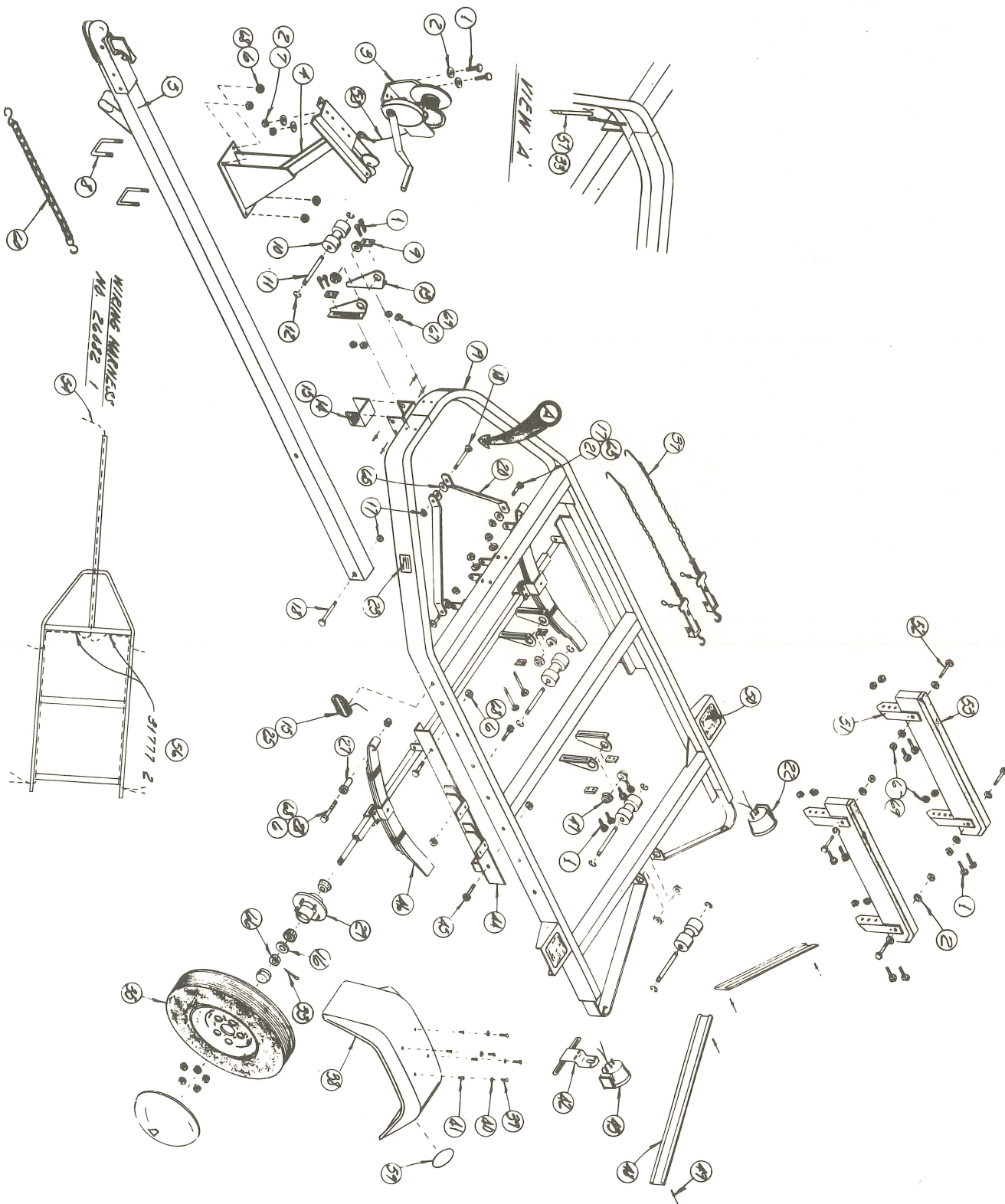


S-500 Trailer

REF. NO.	PART NO.	HARDWARE	QTY.
1	814268	Tongue Assembly	1
2	810735	Winch Stand Assembly	1
3	31632	U – Bolt	2
4	31290	Hex Nut	6
5	814200	Lock Pin Assembly	1
6	21439	Cotter Pin	3
7	31637	Lock Nut	1
8	31635	Screw Cap	1
9	31131	Washer	2
10	21014	Bushing	4
11	31289	Screw Cap	2
12	26082	Wiring Harness	1
13	26051	Hub Wheel	2
14	26065	Wheel and Tire	2
15	814066	Fender Assembly	2
16	814267	Axle and Spring Assembly	1
17	31783	Machine Screw	8
18	31784	Washer	8
19	31710	Well Nut	8
20	24740	Chrysler Emblem	2
21	820949	Step Pad	2
22	26005	Bracket	1
23	26014	Tail Light With License Light	1
24	31607	Ring	4
25	90009	Roller Pin	1
26	830037	Plate – Roller Bracket	2
27	26047	Roller Bushing	2
28	31287	Screw Cap	4
29	31280	Hex Nut	14
30	26043	Roller	1
31	830036	Roller Bracket – Right	1
32	830035	Roller Bracket – Left	1
33	26077	Trailer Capacity Plate	1
34	31275	Screw Cap	8
35	31252	Washer	8
36	31281	Washer	14
37	814270	Bolster Assembly Aft.	2
38	26002	Tail Light	1
39	814271	Bolster Assembly Forward	1
40	26162	Light	2
41	31519	Rivet	8
42	31223	Washer	6
43	23026	Safety Chain	1
44	814240	Frame Assembly	1
45	826416	Tongue Guide Liner	1
46	830279	Roller Bracket	2
47	31278	Screw Cap	2
48	22676	Roller	1
49	90008	Roller Pin	1
50	31561	Washer	2
55	31794	Bushing Spindle	2
56	31793	Axle Nut	2

S-500 Trailer

1100 Trailer

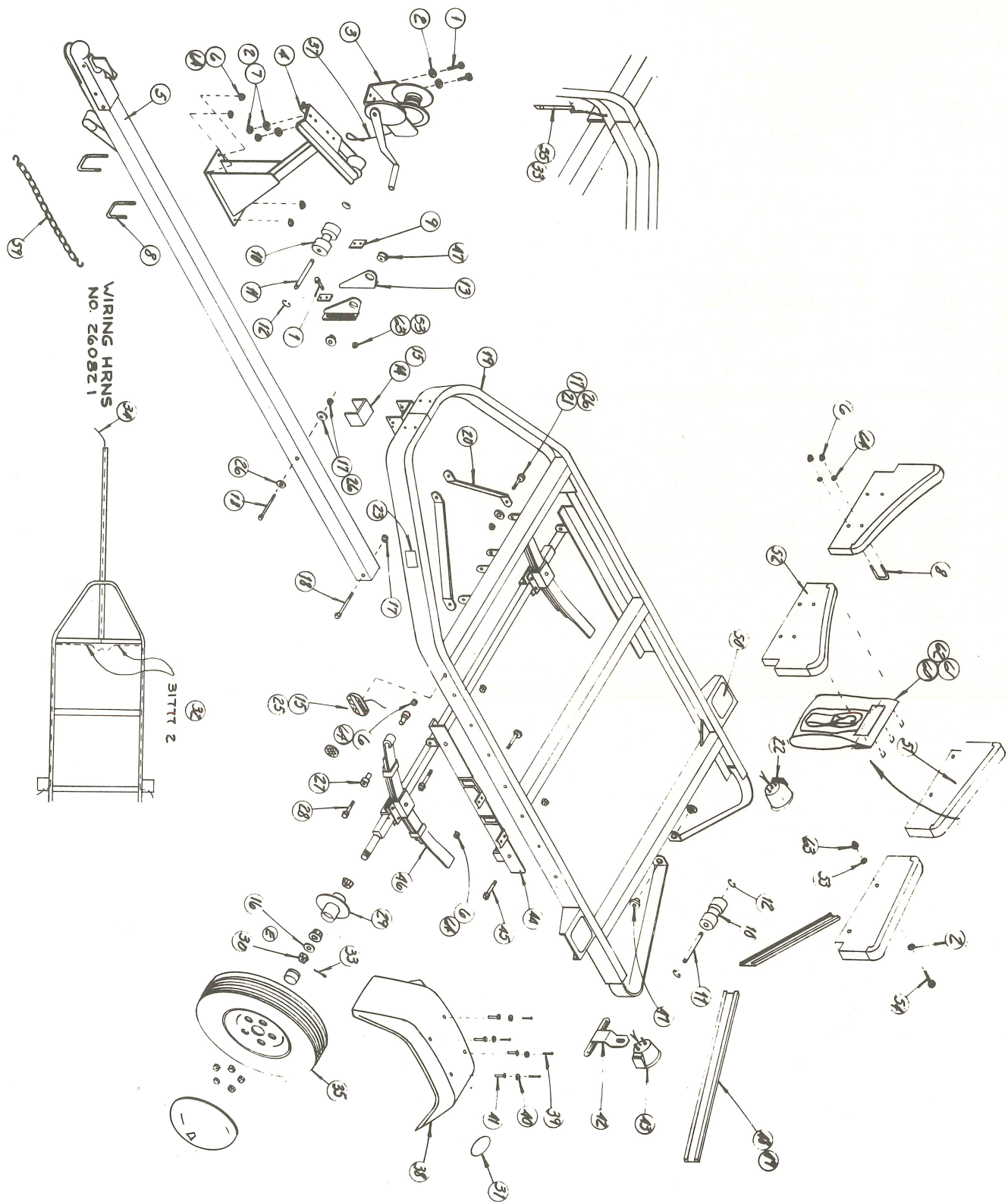


1100 Trailer

REF. NO.	PART NO.	HARDWARE	QTY.
1	31287	Screw Cap	18
2	31252	Washer	16
3	26141	Winch	1
4	810735	Winch Stand Assembly	1
5	810730	Tongue Assembly	1
6	31290	Hex Nut	12
7	31435	Nut	2
8	31632	U – Bolt	2
9	830037	Plate Roller Bracket	6
10	26043	Roller	4
11	90009	Pin Roller	4
12	31607	Ring	8
13	830036	Roller Bracket – Right	3
13A	830035	Roller Bracket – Left	3
14	826416	Tongue Guide Liner	1
15	31519	Rivet	8
16	31794	Bushing Spindle	2
17	31637	Nut	4
18	31635	Screw Cap	2
19	814184	Frame Assembly	1
20	830038	Brace	2
21	31781	Screw Cap	2
22	26002	Tail Light Trailer	1
23	26072	Trailer Capacity Plate	1
25	26162	Light	2
27	21014	Bushing	4
28	31289	Screw Cap	2
29	26051	Hub Wheel	2
33	26016	Wheel and Tire	2
37	26084	Tie Down Fulton	2
38	814066	Fender Assembly	2
39	31783	Machine Screw	8
40	31784	Washer	8
41	31710	Well Nut	8
42	26005	Bracket	1
43	26014	Tail Light with License Light	1
44	810739	Angle Carriage Assembly – Left	1
44A	810738	Angle Carriage Assembly – Right	1
45	31634	Screw Cap	6
46	810740	Axle and Spring Assembly	1
47	26047	Roller Bushing	8
48	826413	Cover Vee Strap	2
49	31616	Rivet	4
50	820949	Step Pad	2
51	830091	Bolster Bracket	4
52	31275	Screw Cap	4
53	814189	Bolster Assembly	2
54	26082	Wiring Harness	1
56	31777	Clip	2
57	814200	Lock Pin Assembly	1
58	26004	Winch Cable and Hook	1
59	24740	Chrysler Emblem	2
60	23026	Safety Chain	1
65	31131	Washer	4
66	31793	Axle Nut	2
67	31280	Hex Nut	24
68	31223	Washer	12
69	31281	Washer	24

1100 Trailer

S-1100 Trailer

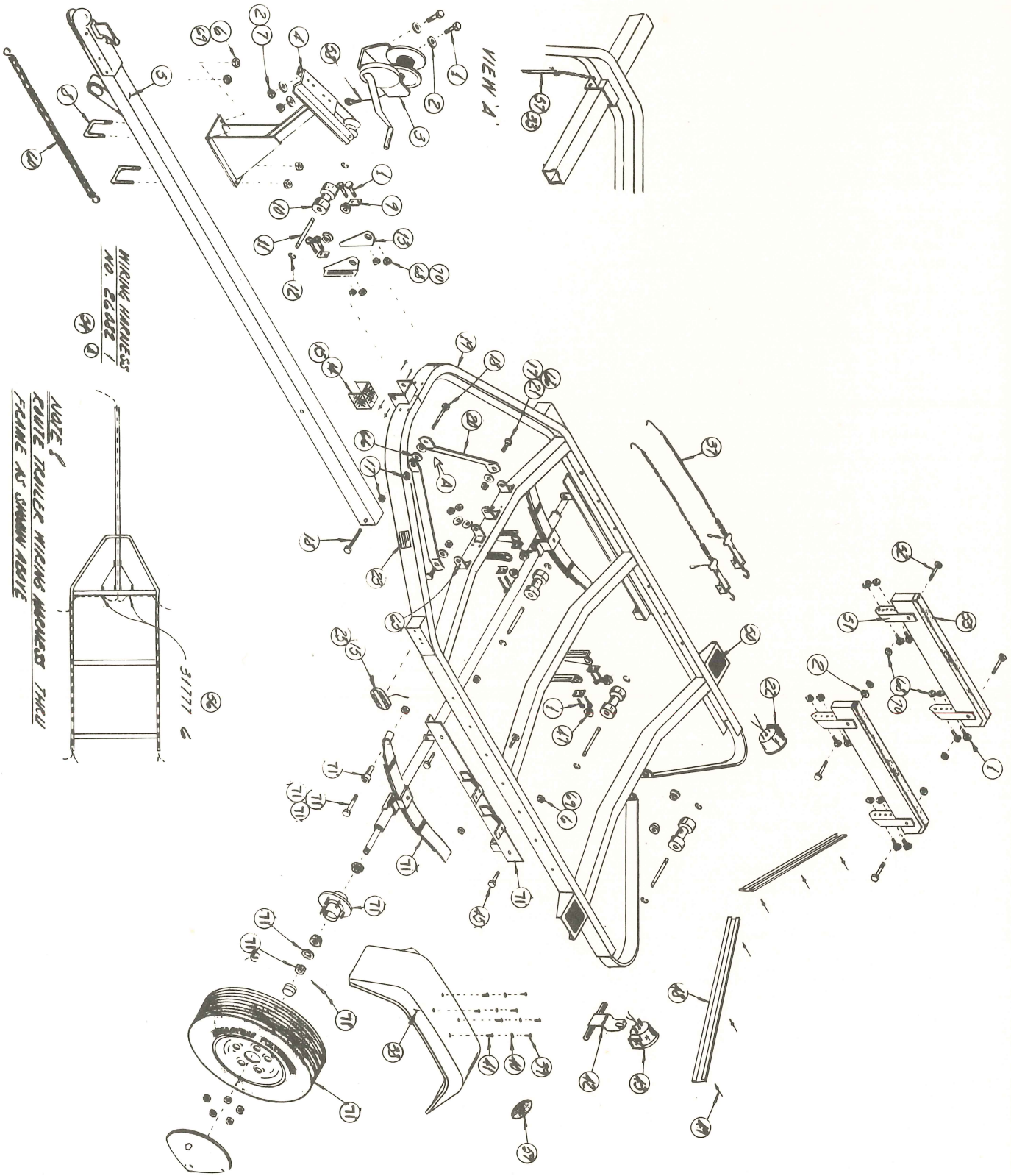


S-1100 Trailer

REF. NO.	PART NO.	HARDWARE	QTY.
1	31287	Screw Cap	6
2	31252	Washer	8
3	26141	Winch	1
4	810735	Winch Stand	1
5	810730	Tongue Assembly	1
6	31290	Hex Nut	20
7	31435	Hex Nut	2
8	31632	U – Bolt	6
9	830037	Plate – Roller Bracket	2
10	26043	Roller	2
11	90009	Roller Pin	2
12	31607	Ring	4
13	830036	Roller Bracket – Right	1
13A	830035	Roller Bracket – Left	1
14	826416	Tongue Guide Liner	1
15	31519	Rivet	8
16	31794	Bushing Spindle	2
17	31637	Lock Nut	4
18	31635	Screw Cap	2
19	814184	Frame Assembly	1
20	830038	Brace	2
21	31781	Screw Cap	2
22	26002	Tail Light	1
23	26073	Trailer Capacity Plate	1
25	26162	Light	2
26	31131	Washer	4
27	21014	Bushing	4
28	31289	Screw Cap	2
29	26051	Hub Wheel	2
30	31793	Axle Nut	2
31	24740	Chrysler Emblem	2
32	31777	Clip	2
33	21439	Cotter Pin	3
34	26082	Wiring Harness	1
35	26016	Wheel and Tire	2
37	26004	Winch Cable and Hook	1
38	814066	Fender Assembly	2
39	31783	Machine Screw	8
40	31784	Washer	8
41	31710	Well Nut	8
42	26005	Bracket	1
43	26014	Tail Light with License Light	1
44	810739	Alge Carriage Assembly – Left	1
44	810738	Angle Carriage Assembly – Right	1
45	31634	Screw Cap	6
46	810740	Axle and Spring Assembly	1
47	26047	Roller Bushing	4
48	826413	Cover Vee Strap	2
49	31616	Rivet	4
50	820949	Step Pad	2
51	814269	Bolster Assembly Aft	2
52	814264	Bolster Assembly Forward	2
53	31281	Washer	8
54	31275	Screw Cap	4
55	814200	Lock Pin Assembly	1
59	23026	Safety Chain	1
63	31280	Hex Nut	8
64	31223	Washer	20

S-1100 Trailer

1300 Trailer



1300 Trailer

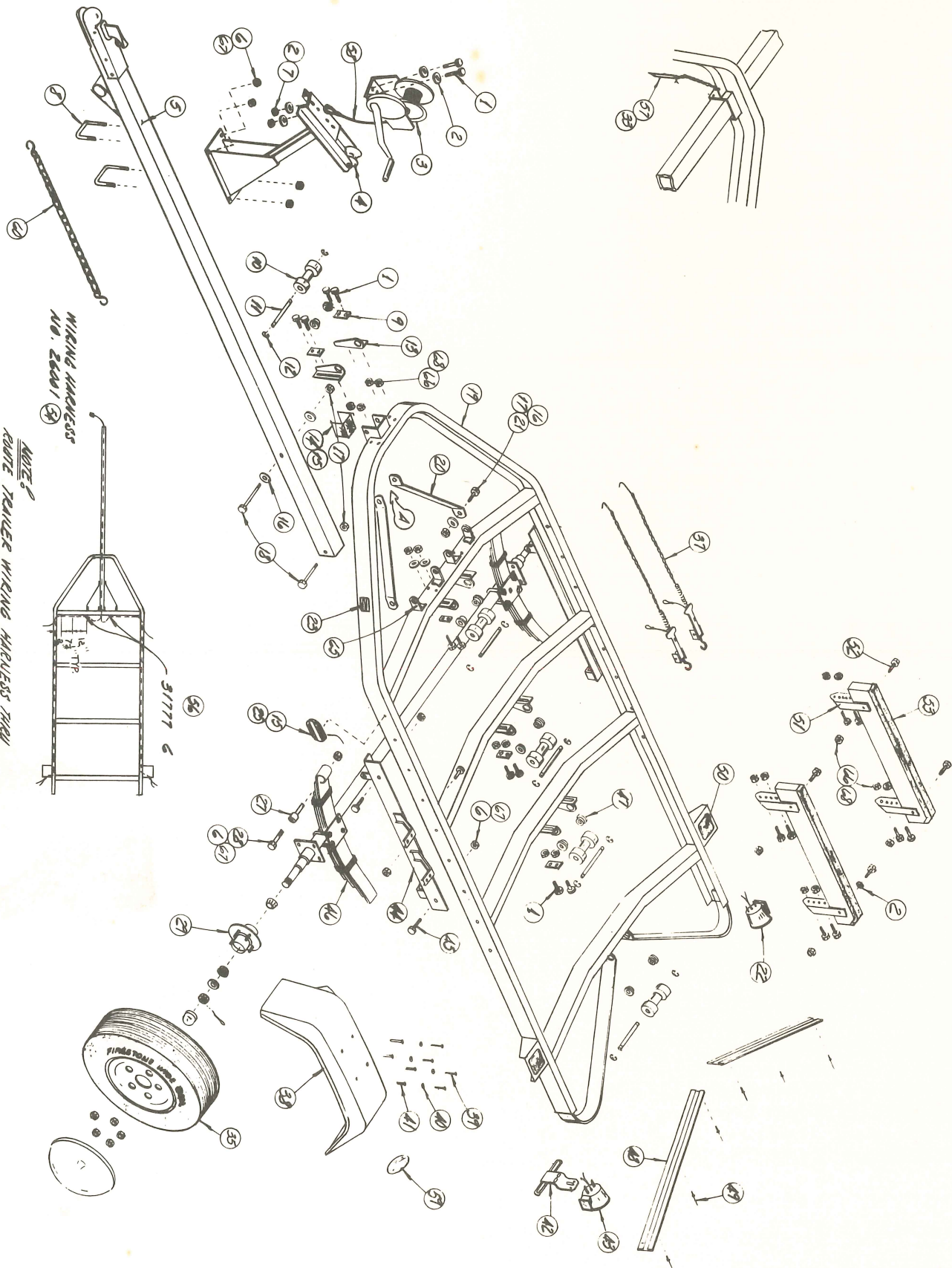
REF. NO.	PART NO.	HARDWARE	QTY.
1	31287	Screw Cap	18
2	31252	Washer	16
3	26142	Winch	1
4	810735	Winch Stand Assembly	1
5	810730	Tongue Assembly	1
6	31290	Hex Nut	10
7	31435	Shakeproof Nut	2
8	31632	U – Bolt	2
9	830037	Plate – Roller Bracket	6
10	26043	Roller	4
11	90009	Roller Pin	4
12	31607	Ring	8
13	830294	Roller Bracket – Right	3
13A	830295	Roller Bracket – Left	3
14	826416	Tongue Guide Liner	1
15	31519	Rivet	8
17	31637	Lock Nut	4
18	31635	Screw Cap	2
19	814213	Frame Assembly	1
20	830038	Brace	2
21	31781	Screw Cap	2
22	26002	Tail Light	1
23	26074	Trailer Capacity Plate	1
25	26162	Light	2
33	21439	Cotter Pin	1
37	26084	Tie Down Fulton	2
38	813878	Fender Assembly	2
39	31783	Screw	8
40	31784	Washer	8
41	31710	Well Nut	8
42	26005	Bracket	1
43	26014	Tail Light With License Light	1
45	31634	Screw Cap	6
47	26047	Roller Bushing	8
48	826414	Cover Vee Strap	2
49	31616	Rivet	6
50	820949	Step Pad	2
51	830091	Bolster Bracket	4
52	31275	Screw Cap	4
53	814548	Bolster Assembly	2
54	26082	Wiring Harness	1
56	31777	Clip	6
57	814200	Lock Pin Assembly	1
58	26004	Cable and Hook	1
59	24740	Chrysler Emblem	2
60	23026	Safety Chain	1
65	830039	Bracket	4
66	31131	Washer	4
68	31280	Hex Nut	24
69	31223	Lock Washer	10
70	31281	Lock Washer	24
71A	814232	Axle and Spring Assembly	1
71B	26298	Axle	1
71C	810738	Carriage Angle Assembly Starboard	1
71D	810739	Carriage Angle Assembly Port	1
71E	26051	Hub Wheel Ang Lug Nuts	2
71F	31794	Bushing Spindle	2
71G	31793	Axle Nut	2
71H	21439	Cotter Pin	2
71J	26144	Wheel and Tire	2

1300 Trailer

1700 Trailer

WIRING HARNESS
NO. 26001

WIRE &
BRITE TRAILER WIRING HARNESS FROM
FRAME AS SHOWN ABOVE.

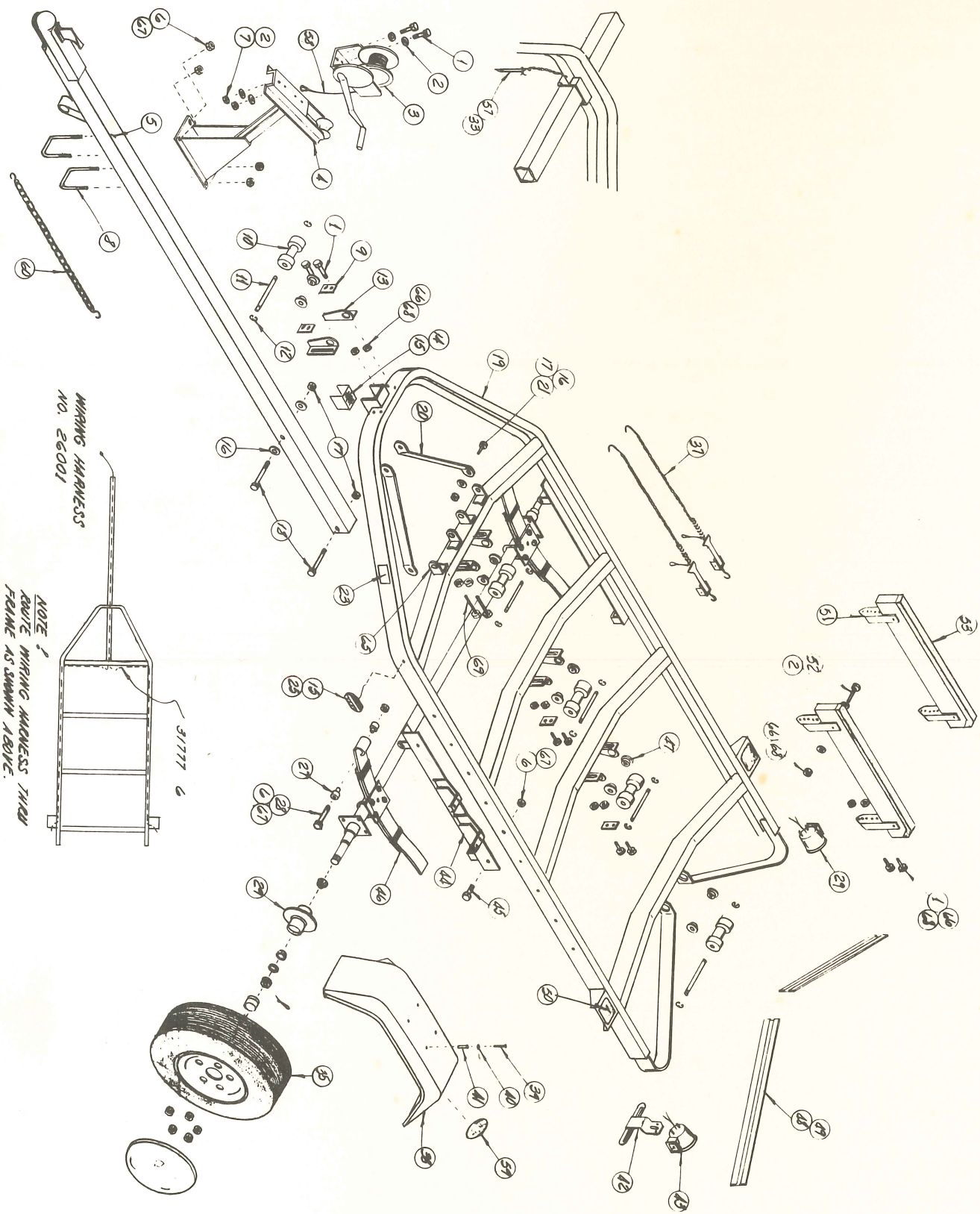


1700 Trailer

REF. NO.	PART NO.	HARDWARE	QTY.
1	31287	Screw Cap	24
2	31252	Washer	16
3	26143	Winch	1
4	810735	Winch Stand Assembly	1
5	814238	Tongue Assembly	1
6	31290	Hex Nut	12
7	31435	Nut	2
8	31632	U – Bolt	2
9	830037	Plate – Roller Bracket	8
10	26043	Roller	5
11	90009	Roller Ping	5
12	31607	Ring	10
13	830294	Roller Bracket – Right	4
13A	830295	Roller Bracket – Left	4
14	826416	Tongue Guide Liner	1
15	31519	Rivet	8
16	31131	Washer	4
17	31637	Nut	4
18	31635	Screw Cap	2
19	814237	Frame Assembly	1
20	830038	Brace	2
21	31781	Screw Cap	2
22	26002	Tail Light	1
23	26075	Trailer Capacity Plate	1
25	26162	Light	2
27	21014	Bushing	4
28	31289	Screw Cap	2
29	26011	Hub Wheel	2
33	21439	Cotter Pin	3
35	26008	Wheel and Tire	2
37	26084	Tie Down Fulton	2
38	813878	Fender Assembly	2
39	31783	Machine Screw	8
40	31784	Washer	8
41	31710	Well Nut	8
42	26005	Bracket	1
43	26014	Tail Light with License Light	1
44	810739	Angle Carriage Assembly – Left	1
44A	810738	Angle Carriage Assembly – Right	1
45	31634	Screw Cap	6
46	814236	Axle and Spring Assembly	1
47	26047	Roller Bushing	10
48	826414	Cover Vee Strap	2
49	31616	Rivet	6
50	820949	Step Pad	2
51	830091	Bolster Bracket	4
52	31275	Screw Cap	4
53	814189	Bolster Assembly	2
54	26001	Wiring Harness	1
56	31777	Clip	6
57	814200	Lock Pin Assembly	1
58	26004	Cable and Hook	1
59	24740	Chrysler Emblem	2
60	26123	Safety Chain	1
65	830039	Bracket	4
66	31280	Hex Nut	28
67	31223	Washer	12
68	31281	Washer	28

1700 Trailer

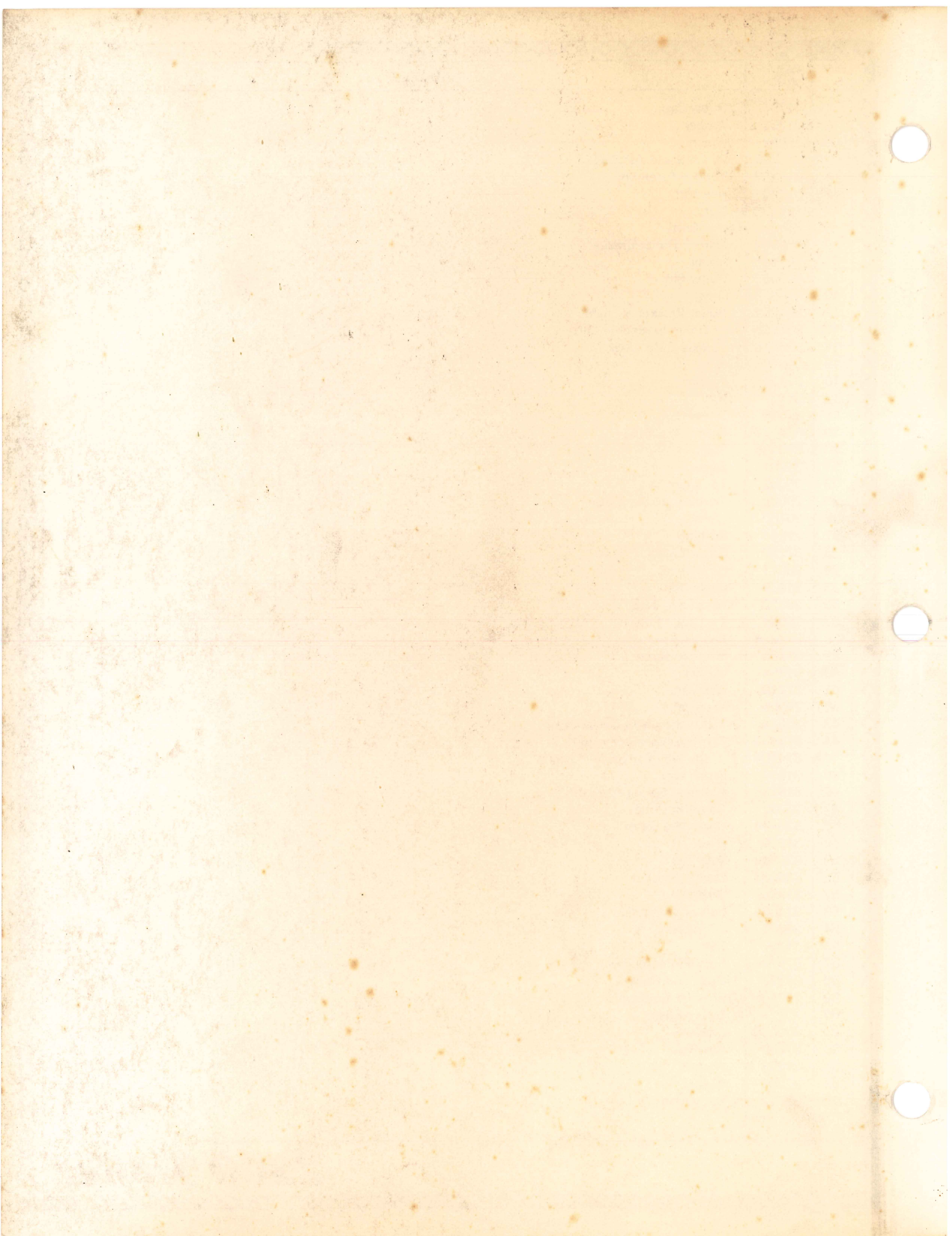
2300 Trailer



2300 Trailer

REF. NO.	PART NO.	HARDWARE	QTY.
1	31287	Screw Cap	22
2	31252	Washer	8
3	26052	Winch	1
4	810735	Winch Stand Assembly	1
5	814238	Tongue Assembly	1
6	31290	Hex Nut	12
7	31435	Nut	2
8	31632	U – Bolt	2
9	830037	Plate – Roller Bracket	8
10	26124	Roller	5
11	90009	Roller Pin	5
12	31607	Ring	10
13	830294	Roller Bracket – Right	4
13A	830295	Roller Bracket – Left	4
14	826416	Tongue Guid Liner	1
15	31519	Rivet	8
16	31131	Washer	4
17	31637	Nut	4
18	31635	Screw Cap	2
19	814371	Frame Assembly	1
20	830038	Brace	2
21	31781	Screw Cap	2
22	26002	Tail Light	1
23	26069	Trailer Capacity Plate	1
25	26162	Light	2
27	21014	Bushing	4
28	31289	Screw Cap	2
29	26011	Hub Wheel	2
33	21439	Cotter Pin	3
35	26222	Wheel and Tire	2
37	26084	Tie Down Fulton	2
38	813878	Fender Assembly	2
39	31783	Machine Screw	8
40	31784	Washer	8
41	31710	Well Nut	8
42	26005	Bracket	1
43	26014	Tail Light with License Light	1
44	814403	Carriage Assembly – Left	1
44A	814404	Carriage Assembly – Right	1
45	31634	Screw Cap	6
46	814236	Axle and Spring Assembly	1
47	26047	Roller Bushing	10
48	826414	Cover Vee Strap	2
49	31616	Rivet	6
50	820949	Step Pad	2
51	830091	Bolster Bracket	4
52	31275	Screw Cap	4
53	814439	Bolster Assembly	2
54	26001	Wiring Harness	1
56	31777	Clip	6
57	814200	Lock Pin Assembly	1
58	26122	Cable and Hook	1
59	24740	Chrysler Emblem	2
60	26123	Safety Chain	1
65	830039	Bracket	4
66	31280	Hex Nut	28
67	31223	Washer	12
68	31281	Washer	28
69	31312	Screw Cap	4

2300 Trailer



S - 3000 Trailer

trailer and towing vehicle. Remove tie-down and winch cable. Back the boat into the water until it floats free of the highest part of the trailer bolster beds and pull the trailer out from under the boat.

7. LOADING THE BOAT

Fixed bunks are designed to fit boat hull, therefore there is no adjustments. However, make sure that the hull is resting levelly along the bunks and the swing-keel is in the center of the keel guide. Boat should always be floated in and when bow is against bow roller (winch stand) winch up enough to bring the floating boat snugly against the bow roller and secure it. Pull trailer away from loading ramp. To slide the tongue back to its original position just use the same procedure that you used to extend it. Always trail the boat on the road with the tongue retracted. Never attempt to use the trailer on the road with the tongue extended. The tongue extension feature is intended for use during launching and loading only. Installing tie-downs: Place hooks to each side frame and pull tie-down belt over the cockpit until boat is secured. Release swing-keel to rest on cross member. Be sure all rigging, hatches, lines, etc. are secure before pulling away.

8. BRAKES (Electric)

Electric brakes are factory installed accessories only.

Basically an electrical circuit, where electrical energy is converted into mechanical energy, must be a complete, clean, tight conductor from beginning to end. It begins and ends at the battery. Any break or poor connection will prevent or interfere with the flow of electrical energy, which means loss of braking.

S-3000 Trailer

9. HOW TO USE CAR AND TRAILER BRAKE

The best brake system is only as good as the way it is used. Here are important rules for safe, efficient braking.

a) Always use your car and trailer brakes together. By following this simple rule, you will get more mileage out of your tires as well as your brakes, and most important you will be a safer, more confident driver. You can drive with both hands on the steering wheel because trailer brakes controller is automatically aynchronized with car brakes when applied.

b) Never Use Trailer Brakes Alone Unless in an Emergency

The trailer brakes have ample capacity to handle the trailer alone, but do not expect them to stop your car as well. If you do, you will be putting excessive loads on them. This causes overheating, rapid wear and fade (loss of braking power). The trailer alone is load enough for the trailer brakes.

c) It is strongly recommended that a fuse not be installed in the wiring of the controller. If the braking circuit is fused and the fuse is blown, the operator would not be aware of the loss of brakes. The controller would not function either automatically or manually.

d) A selective resistor is needed when brake capacity exceeds the trailer brake requirements. It prevents premature trailer wheel skid by balancing current input to actual trailer load. If the

setting is correct, the controller unit full "on" position should provide firm braking action just short of skidding on dry pavement.

Change the setting to achieve greater or less braking, as required.

e) Tow Car-to-trailer Connector Plug: Since corrosion or bad connections will interfere with the flow of current when needed, it is important to keep the connection clean, tight, and well protected from the weather.

f) Break-Away Switch: The very instant a break-away occurs, the pull-pin which is linked to the tow car is pulled from the switch, the two contacts automatically close to complete the electrical circuit and apply the trailer brakes. Break-away switches are required by law in most states.

g) A standby battery is used to supply the electrical power to apply brakes in the event of break-away. Check the battery periodically to make certain that sufficient current is always available to apply and hold the trailer brakes in an emergency.

10. GROUND

Many service problems are due to poor or defective grounding. While it may seem that, since we have reached the brakes the rest is secondary, the fact is that a poor ground circuit back to the battery will interfere with efficient brake operation just as much as a poor circuit to the brakes. Grounding through the trailer frame or at the hitch is very poor practice, and may cause a failure in the circuit just when you need your brakes most.

11. MAINTENANCE PROCEDURE

Checking the Electrical Circuit: Now that we have a basic understanding of how the electric trailer brake system and its components work, let's venture into checking the electrical circuit and components, checking the mechanical components and trouble shooting the system.

- a) Test Instruments: In order to properly check the electrical circuit and components, a D.C. ammeter should be used (0-15 amps for 2 to 4 brakes, and 0-25 amps for 6 brakes). However, in an emergency, an automotive 12-volt stop light bulb can be used by soldering a 6-inch wire to one of the bulb terminals and another 6-inch wire to the light bulb base.
- b) Testing the Circuit: First, check the continuity of the system. To do this, connect the trailer to the towing vehicle, then place the ammeter or test bulb in series to the blue wire leading from the controller to the trailer brakes. NOTE: Whenever connecting the ammeter, you can avoid possible damage to the ammeter by connecting one lead then just touching the other lead quickly. If the needle goes the wrong way, you have reversed the polarity. To correct, simply reverse the leads, then complete the connection. Now, operate the controller slowly. The cut-in or lowest current should read from 1 to 1-3/4 amps. The reading will vary, depending on the voltage and the number of brakes in the system.

11. MAINTENANCE PROCEDURE - cont'd.

b) Cont'd.

Maximum current value on 10" and 12' brakes is 6.0 to 6.5 amps and on the 7 1/4" brakes is 3.8 to 4.4 amps. All readings are for two brakes; multiply by 2 for four brakes. The values given are without selective resistor in the circuit. If a selective resistor is used, put both wires at a common terminal to check these values.

- c) Check without Trailer: If the trailer is not available, a quick check of the two car circuit may be made by inserting a test bulb at the two car connector plug. Have someone operate the controller slowly. If, as the controller handle is moved toward "on", the light goes from dim to bright, the two car circuit is probably all right.
- d) Break-away Switch: The break-away switch can be checked simply by placing an ammeter or test light in the circuit between the break-away switch and the brakes, then pulling out the break-away pin. If no current flows to the brakes, check to be sure the break-away switch contacts are clean. Check the battery for full charge. Replace battery if necessary.
- e) Magnet Assembly: Without removing the magnet assembly from the brake, inspect the magnet for wear and flatness. If the magnet rubbing surface is flat, it need not be replaced until the friction element shows signs of wearing through. To check the wearing surface flatness, lay a scale or straight-edge on the magnet. If the magnet

S-3000 Trailer

wears unevenly, check for worn pivot bushing. If this condition exists, the lever assembly should be replaced.

Note: When, after checking the circuit, the trouble is located in a specific component (such as the controller or a brake magnet), it is advisable to remove this component and check it on the bench.

12. CHECKING THE MECHANICAL COMPONENTS

Special attention should be given to the trailer brakes which are subject to immersion during boat launching. When the boating season is over and before the trailer is stored, remove the brake drums and inspect the brake assembly. Be sure all parts are dry and free of corrosion, if necessary, disassembly the brake, clean the shoes, backing plate, etc. Then lightly lubricate the anchor, magnet pivot, shoe contact points on the backing plates, and the adjustor assembly. Inspect bearings and bearing seals; replace if necessary. Repack bearings and reassemble drum and when assembly. Remove all dirt, rust, grease and oil from stud threads, do not lubricate threads. Position wheel on trailer. Inspect to insure full contact between the mounting surface (seat pads) of wheel and mounting surface of hub or brake drum. Start wheel nuts on studs. Finger tighten nuts. Tighten nuts in a (criss-cross) order to a torque of 85 to 90 ft. - lbs. (Retorque nuts after 50 miles of driving and periodically thereafter). After wheel/tire assembly have been mounted, visually inspect to insure no interference with body or other component parts.

13. TRAILER MAINTENANCE

- A) Don't exceed the capacity of your trailer. On the frame you will find a C.B.C. weight capacity rating.
- b) Adjustments: Which stand is the only assembly that needs to be adjusted. Your Chrysler dealer has made the proper adjustments for you. However, inspect and re-torque "U" bolt nuts if necessary.
- c) Periodically touch up paint where chipped or marred.
- d) Trailer Hitch and Coupler: Be sure to match size of coupler on trailer with size of towing ball on hitch. Safety chain should be secured to car frame or hitch.
- e) Tires: Make sure the trailer tires are filled to the proper pressure, according to the rated load capacity (see label located on winch stand).
- f) Coupler & Hitch: Check the coupler for wear, damage, and tightness. Check the hitch on vehicle also.
- g) Winch and Cable: Operate the winch and check for proper operation. Check the cable for fraying and the hook for distortion.
- h) Bunk and Rollers: Replace bunks and roller that are worn or damaged.
- i) Wheels, Spring, Axles: Inspect wheels, springs and axles for structural damage and replace if necessary.
- j) Frame Assembly: Check the trailer frame and cross members for weld cracks, sagging, and damage. Damage to trailer frame due to an overload trailer can void the warranty.

CHRYSLER 22-333-1

