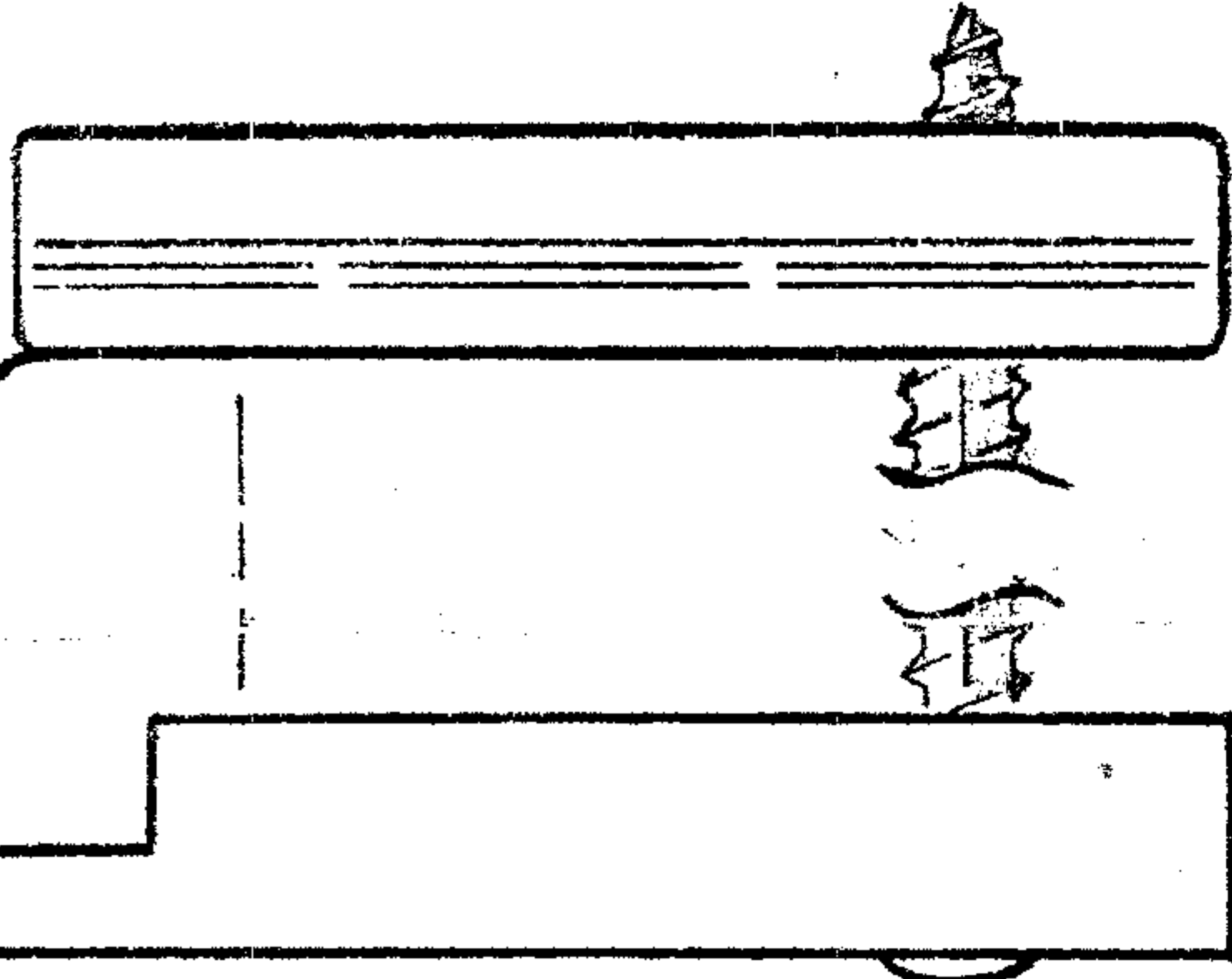


INSTALLATION  
INSTRUCTIONS

FOR CATCH TO MAST - 335

CATCH TO MAST  
INSTALLATION  
MODEL-335

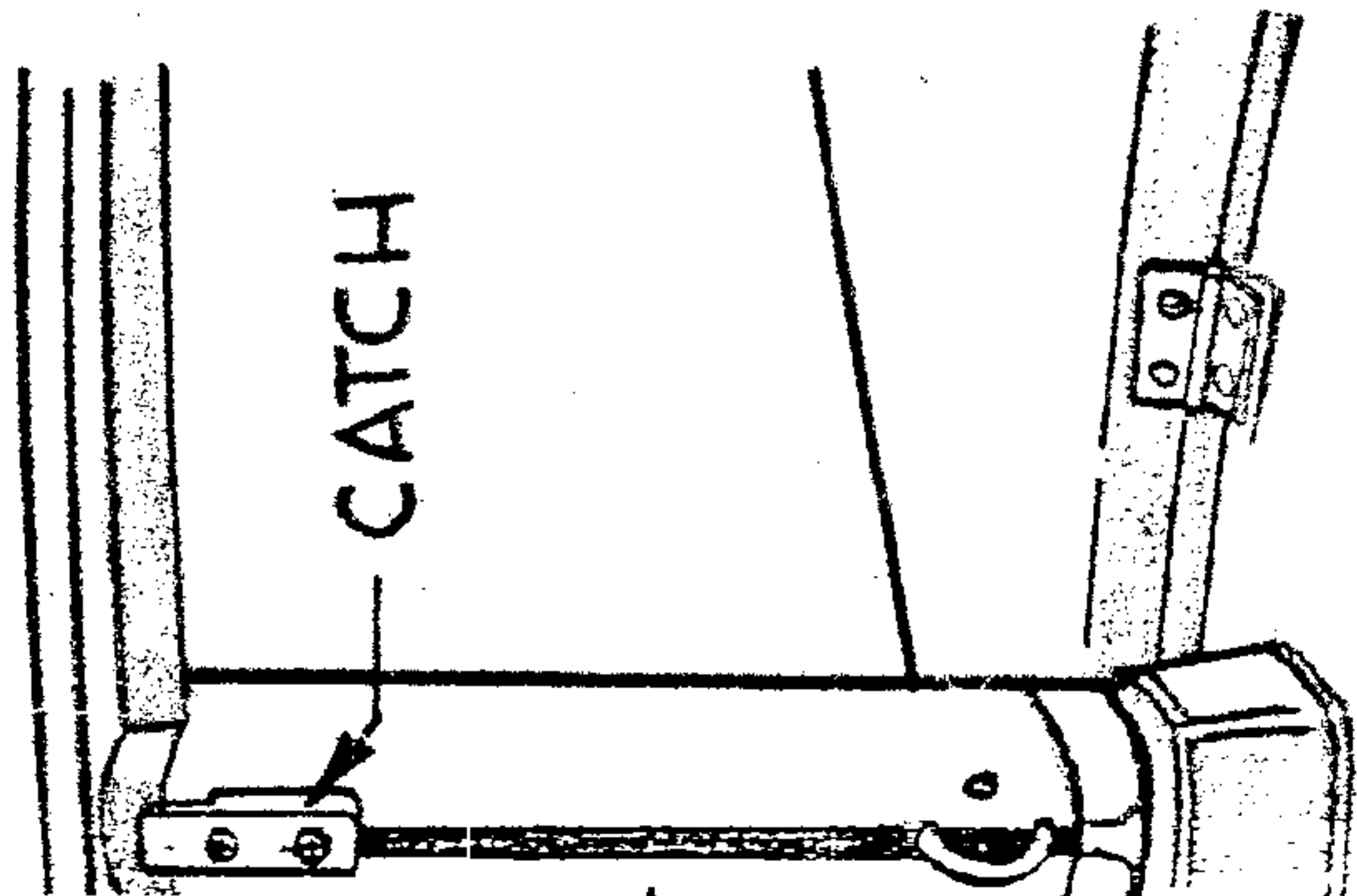
TUBE  
CATCH



ASSEMBLY

↓  
DOWN  
IN.  
T  
RS.

CATCH



CHRYSLER  
BOAT CORPORATION



FOR PART NO. 816815

INSTRUCTION NO. 14230

FOR PART NO. 816815

CATCH TON  
INSTALLAT  
MODEL-33!

