



CHRYSLER Outboard

1979

parts catalog - 12 h.p. SAILOR

MODEL NO.

121 H9A
121 B9A

KEEP THIS LIST AVAILABLE FOR REFERENCE. IT IS NOT ONLY VALUABLE BUT ABSOLUTELY ESSENTIAL IN OBTAINING CORRECT NUMBERS FOR ORDERING PARTS.

MARINE DIVISION, CHRYSLER CORPORATION

Engine Cover and Support Plate

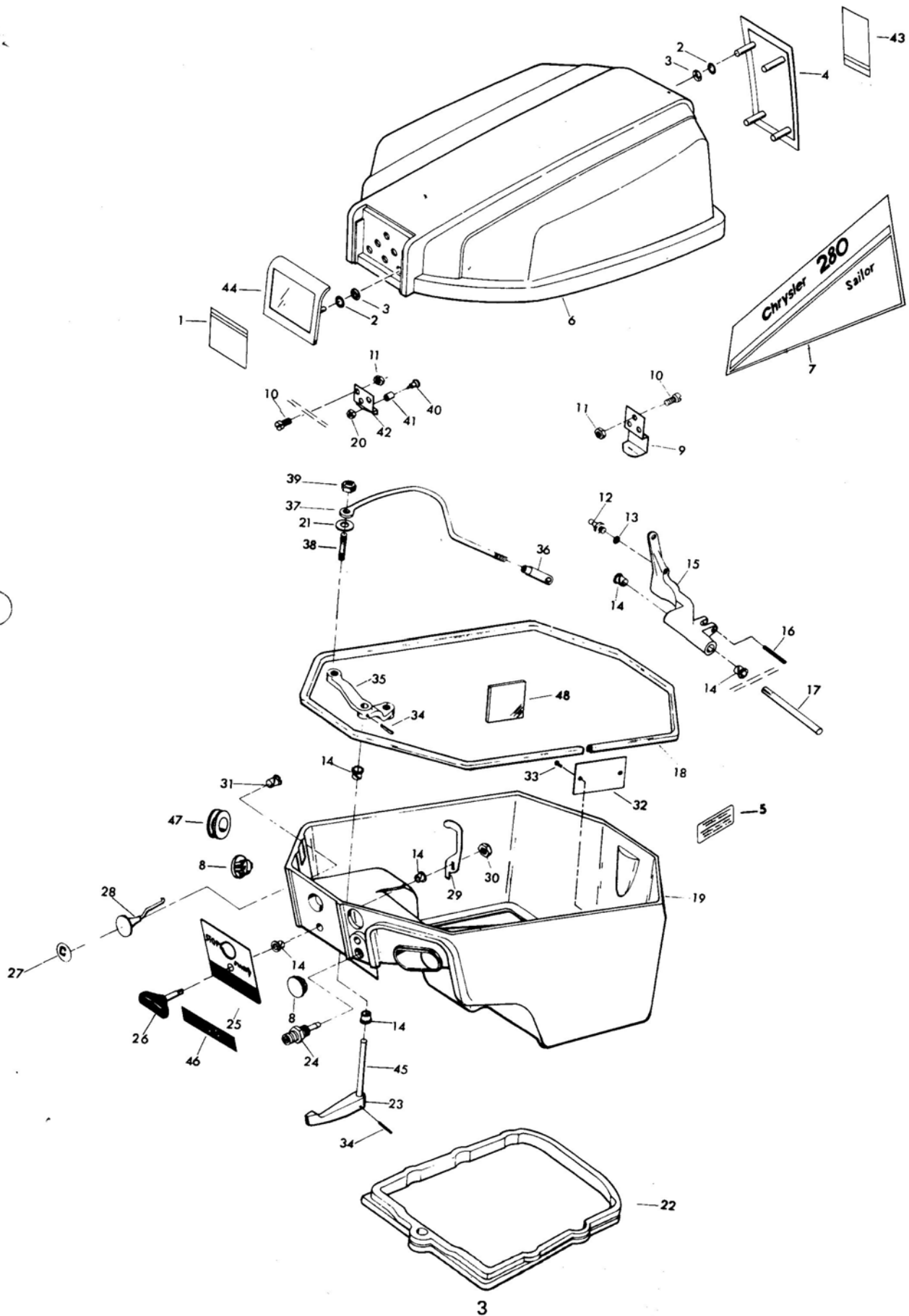
ILLUS. NO.	PART NO.	QTY.	DESCRIPTION
+1	*A540892	1	Decal, engine cover, front
2	*85735-1	7	Seal
3	*1753	7	Fastener
+4	*540180	1	Trim, engine cover, rear
5	235785	1	Decal, compliance - Canada
+6	*S541712	1	Cover, engine, w/bracket, retainer and tilt handle
+	2C540712	1	Cover, engine - Complete. Includes all items marked with an asterisk (*).
+7	*A540397	1	Decal "CHRYSLER", port
+	*A540396	1	Decal, "CHRYSLER", Starboard
8	343226-1	2	Plug
9	*A286480	1	Retainer, engine cover, incl. screws and nuts
10	1979	6	Screw pan hd., 10 - 24 x 1/2
11	7011	6	Nut, elastic stop, 10 - 24
12	98273	1	Stud, gear shift rod connector
13	8058	1	Lockwasher, internal tooth
14	307818	6	Bearing
15	286876	1	Lever, gear shift
16	8542	1	Spring pin
17	286871	1	Pin, gear shift lever
18	392756	1	Packing, support plate
19	A510038	1	Plate, support, incl. plugs
20	7011	1	Nut, stop, 10 - 24
21	8048	1	Washer, bowed spring
22	286989-2	1	Seal, support plate
23	286614	1	Handle, gear shift
24	197767-1	1	Bushing, fuel line
25	A510711	1	Plate, front - U.S.A.
	C510711	1	Plate, front - Canada
26	A286469	1	Knob, cover latch
27	458677	1	Insert, choke knob
28	A286547	1	Knob, choke, incl. insert & rod
29	286777	1	Cam, cover latch
30	2002	1	Nut, stop, 5/16 - 18
31	197319	1	Bearing, choke rod
+32	A535395	1	Plate, identification, incl. screws - U.S.A.
+	AC535395	1	Plate, identification, incl. screws - Canada
33	1447	2	Screw, drive
34	8540	2	Pin, spring
35	492619	1	Lever, gear shift shaft
36	286685	1	Connector, gear shift rod
37	286611-1	1	Rod, gear shift
38	286134	1	Stud, gear shift lever
39	1804	1	Nut, stop, 10 - 24
40	269316	1	Shaft, roller
41	92759	1	Roller
42	*A286774-1	1	Bracket, cover latch, incl. screws, nuts and rollers
+43	*A540528	1	Decal, engine cover, rear
44	*487711	1	Plate, engine cover
45	492417	1	Shaft, gear shift handle
46	517400	1	Decal, shift - U.S.A.
	C517400	1	Decal, shift - Canada
47	94840	1	Grommet, battery cable
48	510661	1	Pad, starter motor

NOTE

To obtain identification plate, order part number A535395, U.S.A., AC535395, Canada. Order for identification plate must be accompanied by a notarized statement from the dealer, customer and statement from a law enforcement agency verifying that the plate is lost or damaged beyond repair. This statement must also include name and address of owner and model and serial number of motor.

+ Denotes new part number.

Order by Part Number and Name, giving Motor Model and Serial Number.



Fuel Pump

ILLUS. NO.	PART NO.	QTY.	DESCRIPTION
1	455118	1	Seal, fuel pump bracket
2	510427	1	Bracket, starter support
3	1577	4	Fill hd screw, 1/4 - 20 x 3/4
4	2A24747-1	1	Fuel pump diaphragm w/gaskets
5	1286	2	Pan hd screw, 4 - 40 x 3/16
6	8003	2	Plain washer
7	18160-2	2	Reed, fuel pump
8	A24757-3	1	Fuel pump reed plate w/reeds and screws
9	24748-1	1	Gasket, fuel pump
10	510746	1	Fuel pump cover
11	2738314-1	1	Fitting, fuel pump
12	2706772	4	Hose clamp
13	2771254	1	Hose, fuel pump to carburetor
14	1069	3	Fill hd screw, 10 - 24 x 1 1/16
15	2752253	1	Hose, fuel pump to bushing
16	510811	1	Filter, fuel pump

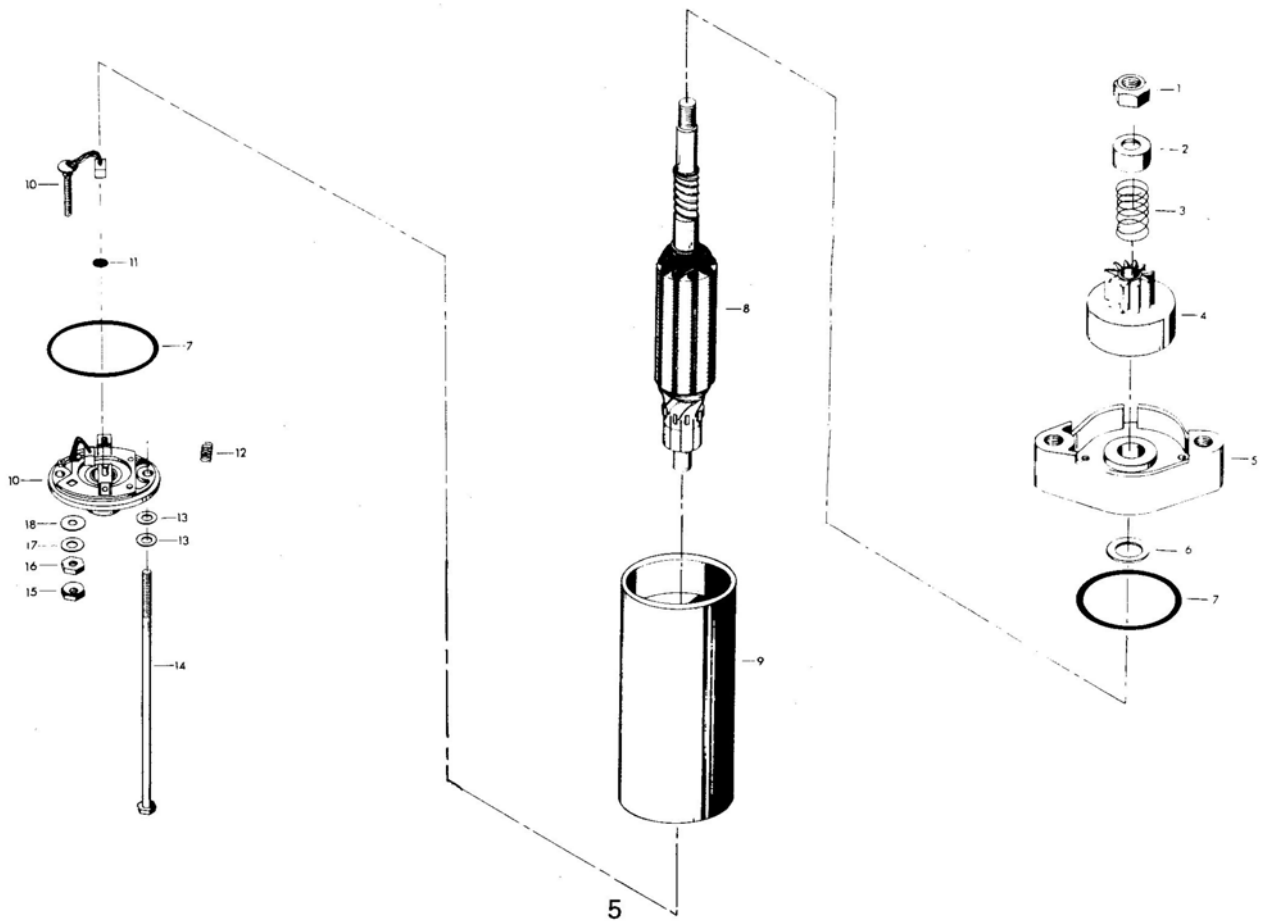
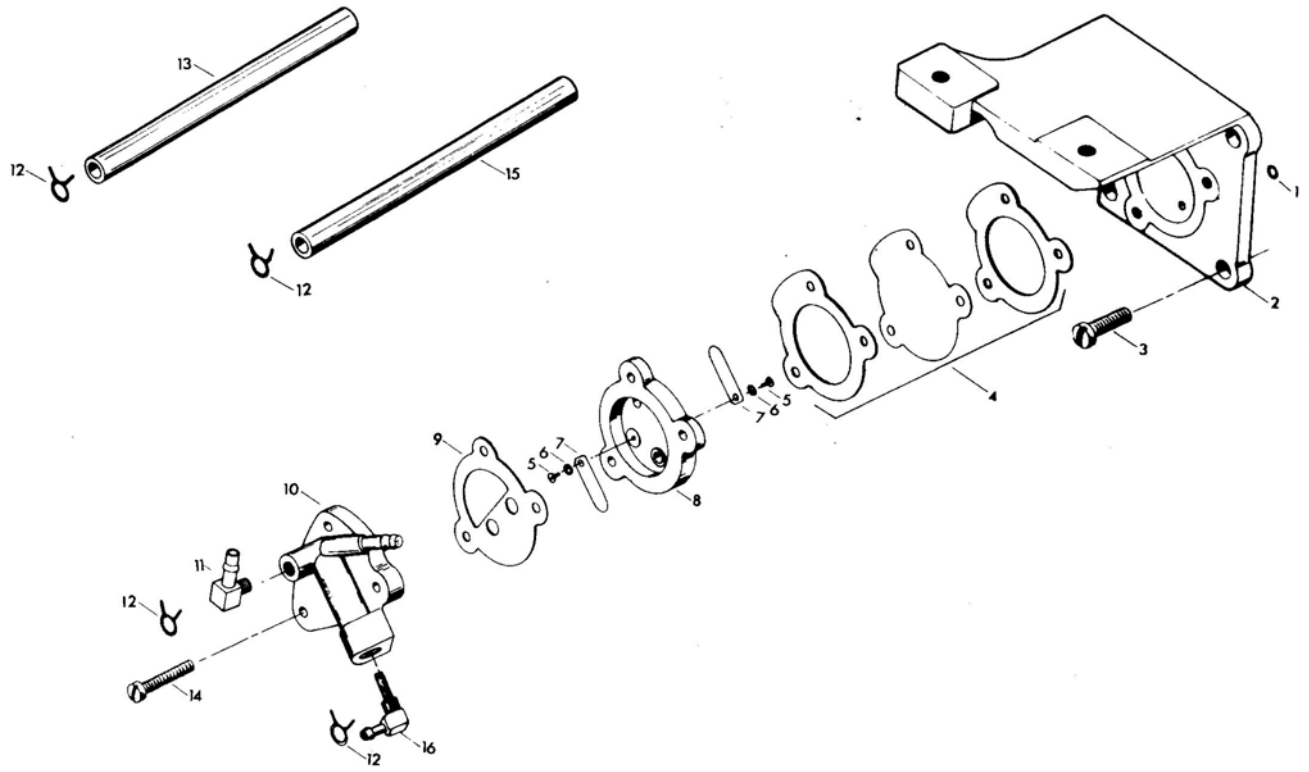
+ Denotes new part number

Electric Starter

ILLUS. NO.	PART NO.	QTY.	DESCRIPTION
1	15142	1	Stop nut
2	15141	1	Pinion stop
3	15140	1	Spring
4	15139	1	Pinion assembly
5	15135	1	Cap assembly, drive end
6	15137	1	Washer
7	15145	2	Gasket
8	15134	1	Armature
9	15136	1	Housing assembly
10	15127	1	Cap assembly, commutator end, includes items 15, 16, 17 and 18
11	15143	1	Disc
12	15138	2	Spring, brush
13	15146	4	Washer
14	15144	2	Screw, thru bolt
15	15129	1	Nut w/lockwasher
16	15130	1	Nut
17	15133	1	Washer
18	15132	1	Washer, fiber
	510955	1	Starter motor complete
+	C520390	1	Decal, starter - Canada (not shown)

+ Denotes new part number

Order by Part Number and Name, giving Motor Model and Serial Number.

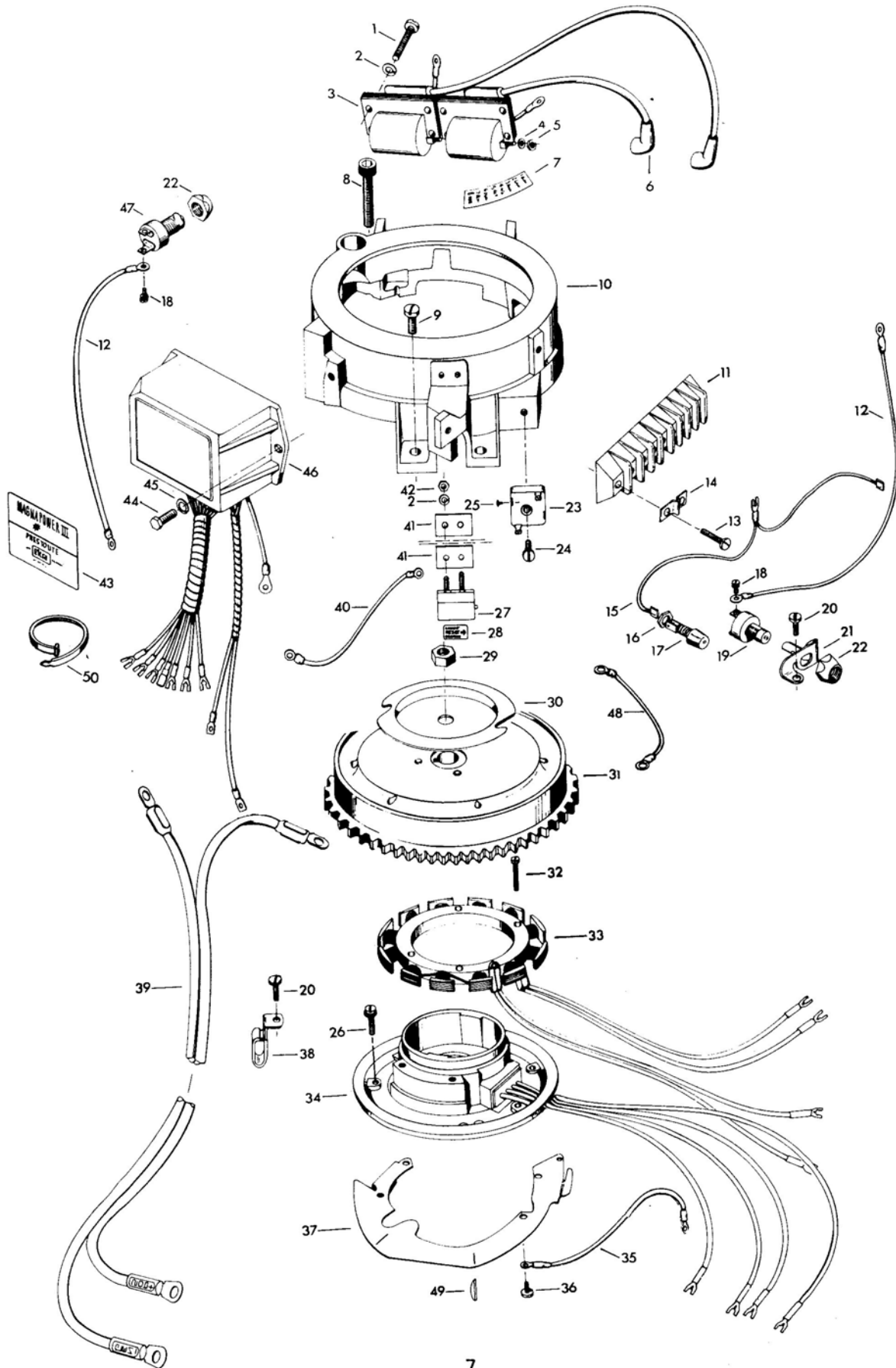


Electrical Components

ILLUS. NO.	PART NO.	QTY.	DESCRIPTION
1	1829	8	Fill hd M. screw, 10 - 24 x 7/8
2	1975	12	Spring lockwasher
3	510475	2	Ignition coil
4	1704	2	Internal tooth lockwasher
5	1337	2	Hex nut, 6 - 32
6	K750-2	2	Sparkie w/spring
7	510398	1	Decal, wiring
	C510398	1	Decal, wiring - Canada
8	1646	2	Hex socket hd cap screw, 3/8 - 16 x 2 1/4
9	1577	4	Fill hd screw, 1/4 - 20 x 3/4
10	510675-1	1	Starter support
11	K289497-2	1	Terminal block
12	510841	2	Wire, starter interlock switch
13	1648	2	Pan hd screw, 10 - 24 x 3/4
14	307317	1	Clip, terminal block ground
15	510908	1	Wire, ground
16	510288	1	Nut, shorting switch
17	436449	1	Shorting switch
18	1556	4	Fill hd M. screw w.spring lockwasher, 10 - 24 x 3/8
19	510918	1	Starter switch
20	1802	3	Fill hd screw, 1/4 - 20 x 9/16
21	510540	1	Bracket, starter switch
22	510669	2	Nut, interlock switch and starter switch
23	510450-1	1	Rectifier
24	1303	1	Slotted pan hd M. screw, 8/32 x 3/4
25	1645	4	Rd hd thread cutting screw, 6 - 32 x 1/4
26	1090	4	Fill hd screw w/spring lockwasher, 10 - 24 x 9/16
27	510460	1	Circuit breaker
28	510374	1	Decal, circuit breaker
	C510374	1	Decal, circuit breaker - Canada
29	1809	1	Hex nut
30	901456-1	1	Emergency starter collar
31	510097	1	Flywheel
32	1678	4	Fill hd screw, 10 - 24 x 13/16
33	510095	1	Stator, alternator
34	510029	1	Stator, trigger
35	404908	1	Ground wire
36	1075	4	Fill hd screw, 10 - 24 x 1/2
37	286192	1	Throttle cam
38	510446	1	Clamp, battery cable
39	517896	1	Battery cable
40	493683	1	Wire
41	510595	2	Insulator, circuit breaker
42	1513	2	Hex nut, 10 - 32
43	510373-1	1	Decal, Magnapower III
44	1999	2	Hex cap screw, 1/4 - 20 x 7/8
45	8083	1	Spring lockwasher
46	510301	1	C-D module
47	510449	1	Neutral interlock switch
48	510683	1	Wire, rectifier - circuit breaker
49	458498	1	Key, flywheel
50	1845	5	Ty-Rap

+ Denotes new part number

Order by Part Number and Name, giving Motor Model and Serial Number.

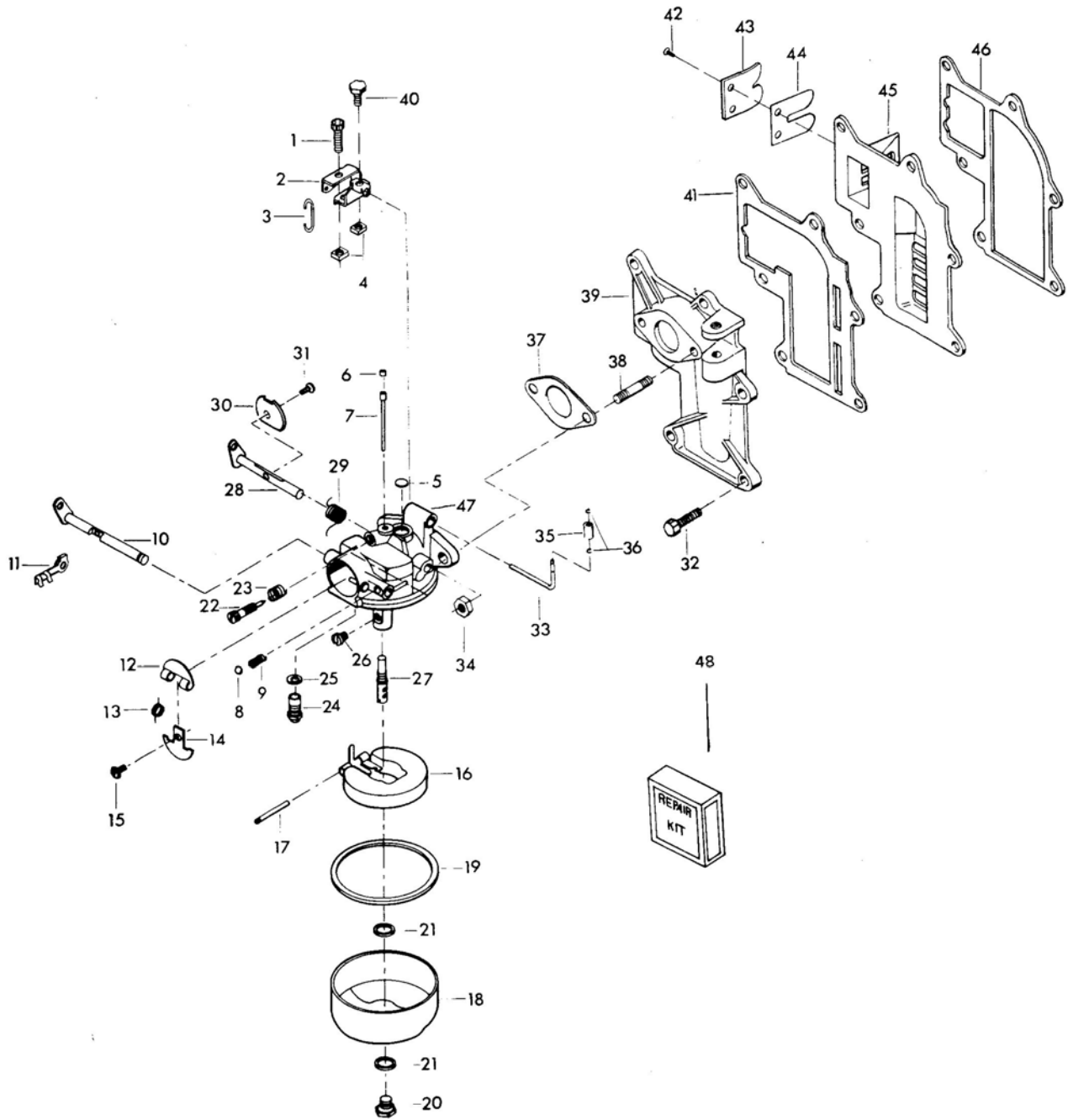


Fuel System

ILLUS. NO.	PART NO.	QTY.	DESCRIPTION
1	1834	1	Fill hd screw, 10 - 24 x 7/8
2	A286190-1	1	Arm, carburetor follower
3	66193	1	Throttle link
4	1365	2	Square nut, 10 - 24
5	*02531	1	Body channel welch plug
6	*010588	1	Body channel cup plug
7	015522	2	Bypass tube
8	04784	1	Choke friction ball
9	08805	1	Choke friction spring
10	015736	1	Choke shaft and lever
11	341384	1	Retainer, choke rod
12	015368	1	Choke relief valve
13	015783	1	Choke relief valve spring
14	015367	1	Choke shutter
15	010280	1	Choke shutter retainer screw and lockwasher
16	013554	1	Float
17	*013944	1	Float lever pin
18	015366	1	Fuel bowl
19	015623	1	Fuel bowl gasket
20	013945	1	Fuel bowl retaining screw
21	02510	2	Fuel bowl retaining screw gasket
22	015520	1	Idle mixture screw
23	*011103	1	Idle mixture screw spring
24	*010790	1	Inlet needle, seat and gasket
25	010165	1	Inlet seat gasket
26	011722	1	Jet main fuel jet std. .055 Sea level - 3000 ft.
	011765	—	Main fuel jet opt. .053 3000 ft. - 6000 ft.
	011764	—	Main fuel jet opt. .051 6000 ft & up
			Optional size main fuel jets are to be used only at altitudes indicated.
27	*015525	1	Main nozzle
28	015757	1	Throttle shaft and lever
29	*015526	1	Throttle shaft return spring
30	016878	1	Throttle shutter
31	*010280	1	Throttle shutter retaining screw and lockwasher
32	1914	4	Hex hd screw, 1/4 - 20 x 3/4
33	286316	1	Throttle cam follower
34	1490	2	Hex nut, 1/4 - 20
35	78318	1	Roller, throttle cam follower
36	78410	2	Retainer
37	18906	1	Carburetor gasket
38	2788004	2	Stud, carburetor
39	2A424167	1	Manifold w/studs and pulley
40	1912	1	Hex hd screw, 10 - 24 x 1/2
41	424168-1	1	Gasket, manifold
42	1755	8	Rd. hd screw w/lockwasher, 6 - 32 x 5/16
43	424161	4	Reed stop
44	31160-1	4	Reed
45	A424158	1	Reed plate w/reeds, stops and screws
46	286159-1	1	Gasket, reed plate
+47	472061-1	1	Carburetor complete (C010B)
	*10006	1	Gasket set, carburetor (not shown)
48	10007	1	Repair parts kit, carburetor. Includes all items marked with an asterisk (*).

+ Denotes new part number

Order by Part Number and Name, giving Motor Model and Serial Number.

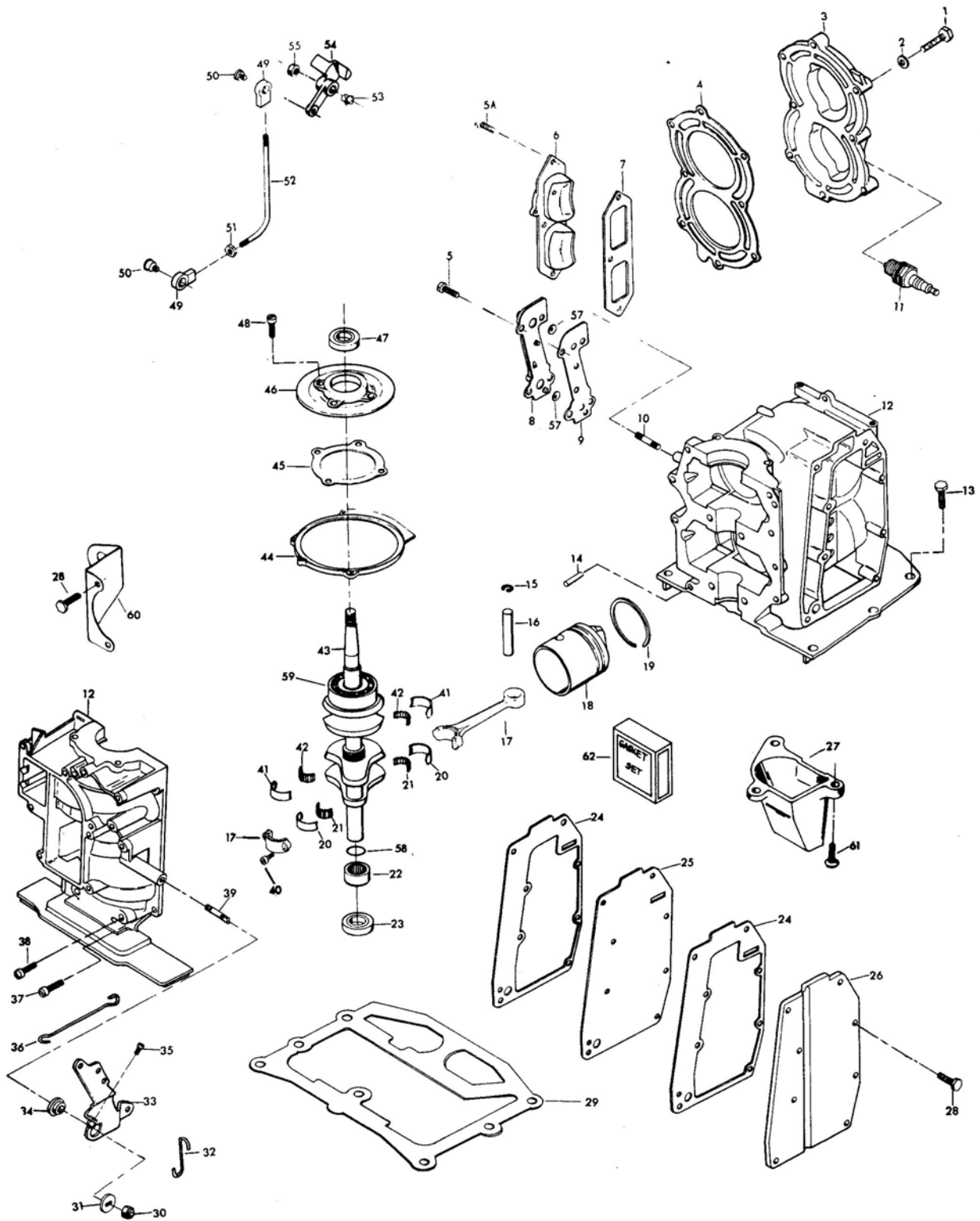


Power Head

ILLUS. NO.	PART NO.	QTY.	DESCRIPTION
1	901938-1	8	Screw, cylinder head
2	8025	8	Plain washer
3	286518	1	Head, cylinder
4	286529-3	1	Gasket, cylinder head
5	1922	4	Hex hd screw, 1/4 - 20 x 5/8
5A	510165	3	Screw
	1859	1	Hex socket headless set screw, 1/4 - 28 x 3/16 (transfer port cover)
6	510222	1	Cover, transfer port
7	286223	1	Gasket, transfer port cover
8	*A429471	1	Cover, cylinder drain w/check valves and screws
9	*429472	1	Gasket, cylinder drain cover
10	*28004	1	Stud, interlock lever
11	S174227	2	Plug, spark, L-4-J
+	C503227	2	Spark plug (QL77J4)
12	A520010	1	Cylinder w/crankcase cover, cylinder drain cover, dowel pins, screw & studs
	C520010	1	Short block (not shown) Includes all items marked with an asterisk (*)
13	1823	6	Hex cap screw, 5/16 - 18 x 1
14	8559	2	Dowel pin
15	*31410	4	Retaining ring, piston pin
16	*174017	2	Pin, piston
17	3A36016-3	2	Rod, connecting w/cap and screws
18	472015-2	2	Piston
19	A472260	2	Piston ring set (2 per set)
20	A525241	2	Crankpin roller bearing cage
21	*A525228	2	Roller set, connecting rod (16 per set)
22	*343014	1	Bearing, crankshaft lower main
23	*141118	1	Seal, crankshaft lower
24	286154	2	Gasket, exhaust cover
25	286151	1	Plate, exhaust
26	286152	1	Cover, exhaust
27	487660-1	1	Exhaust tube
28	1915	10	Hex hd screw, 1/4 - 20 x 7/8
29	286279-2	1	Gasket, cylinder mounting
30	1803	1	Stop nut, 5/16 - 24
31	286282	1	Washer
32	286445	1	Link, magneto shaft
33	A286081-1	1	Lever, magneto control
34	183813	1	Bearing, magneto control lever
35	1504	1	Fill hd screw, 1/4 - 20 x 1 1/4
36	286509	1	Link, throttle cam
37	*1107	8	Fill hd screw, 1/4 - 20 x 3/4
38	*1335	4	Fill hd screw, 5/16 - 18 x 1 1/4
39	*286440	1	Stud, magneto control lever
40	36634	4	Screw, connecting rod
41	*A286155	1	Main bearing liner set (2 per set)
42	*286571	1	Roller set, main bearing (26 per set)
+43	A492018	1	Crankshaft w/upper main bearing
44	73082	1	Ring, magneto stator
45	286277	1	Gasket, crankshaft bearing cage
46	A286144-1	1	Cage, crankshaft bearing w/seal
47	346146	1	Seal, crankshaft upper
48	1111	4	Fill hd screw, 1/4 - 20 x 7/8
49	84035-2	2	Bearing, interlock rod
50	84026	2	Swivel, interlock rod bearing
51	1339	1	Hex nut, 10 - 24
52	510531	1	Rod, interlock
53	197813	1	Bearing, interlock lever
54	517977-1	1	Lever, interlock
55	7008	1	Stop nut, 1/4 - 20
57	429811	2	Screen
58	461342	1	Seal, driveshaft spline
59	A286028-1	1	Bearing, crankshaft upper main
60	510551	1	Bracket, interlock switch
61	2040	3	Taptite hex washer hd screw, 1/4 - 20 5/8
62	G1005-1	1	Gasket set, includes items listed below
	18906	1	Carburetor gasket
	286154	2	Gasket exhaust cover
	286159-1	1	Gasket, reed plate
	286223	1	Gasket, transfer port cover
	286277	1	Gasket, crankshaft bearing cage
	286279-2	1	Gasket cylinder mounting
	286529-3	1	Gasket, cylinder head
	424168-1	1	Gasket, manifold
	429472	1	Gasket, cylinder drain cover

+ Denotes new part number

Order by Part Number and Name, giving Motor Model and Serial Number.



Motor Leg

ILLUS. NO.	PART NO.	QTY.	DESCRIPTION
1	A456137	1	Grip, steering handle w/sleeve
2	85610	1	Bearing
3	1859	2	Hex socket headless set screw
4	A343178	2	Retainer w/set screw
5	S487815-1	1	Gear, steering handle shaft
6	1978	2	Spring pin
7	S487815-1	1	Gear, magneto control shaft
8	1799	1	Truss hd screw, 5/16 - 18 x 5/8
9	A286078-2	1	Steering handle bracket w/grease fitting
10	429688	1	Shaft, steering handle
12	286818	1	Bearing
13	286224	1	Insert, steering handle pivot
14	197813	1	Bearing
15	286220	2	Washer, steering handle
17	341693	1	Wedge, steering handle
18	487816	1	Bearing, steering handle
19	8058	2	Internal tooth lockwasher
20	1829	2	Fill hd screw, 10 - 24 x 7/8
21	286079-1	1	Steering handle
22	53795-1	1	Seal, steering handle grip dampener
23	8039	1	Plain washer
24	286037	1	Stern bracket pivot bolt
25	K517032	1	Stern bracket w/clamp screw and foot
26	286422-1	1	Tilt lock pivot
27	1666	1	Bowed spring washer
28	429541	1	Tilt lock
29	286451	1	Spacer, tilt lock
30	286544-1	1	Spring, tilt stop
31	K517532-1	1	Stern bracket port w/clamp screw and foot
32	286647	1	Carrying handle
33	424075	2	Handle, clamp screw
34	A298073-2	2	Clamp screw w/foot and stud
35	8554	2	Spring pin
36	8537	2	Spring pin
37	66480	2	Stud clamp screw
38	24074	2	Clamp screw foot
39	7005	1	Stop nut, 3/8 - 16
40	A286113	1	Lock bar w/handle and spring
41	8540	1	Spring pin
42	286461	1	Spring, lock bar handle
43	286114	1	Lock bar handle
44	286019	1	King pin
45	1341	2	Hes nut, 1/4 - 20
46	286956	2	Bracket, shock mount lower
47	A1844	2	Hex bolt, 1/4 - 20 x 2 3/8
47A	8083	2	Spring lockwasher
48	286244	1	Water line
49	286914	1	Sleeve water line
50	286346	1	Shock mount lower
51	286422-1	1	Tilt lock pivot
52	286451	1	Spacer, tilt lock
53	286169	1	Bearing, swivel bracket
54	213274	3	Grease fitting
55	286300	1	Spring, reverse lock
56	516349	1	Reverse lock
58	286433	1	Bracket shallow water drive
59	1806	1	Groove pin
60	A341510	1	Link, reverse lock lever
64	286286-1	2	Washer, stern bracket
65	1794	1	Spring pin
66	286827	1	Reverse lock release lever
69	A387742	1	Lever, reverse lock intermediate
70	8538	1	Spring pin
71	286364	1	Lever, reverse lock
73	1608	1	Square nut, 1/4 - 20
74	286573-1	1	Clamp, steering handle
75	A286072-2	1	Swivel bracket w/grease fitting
76	1820	1	Fill hd screw, 1/4 - 20 x 1 3/8
77	2A477133	1	Motor leg w/items 48, 49 & 81
78	286169	1	Bearing, swivel bracket
79	197813	2	Bearing

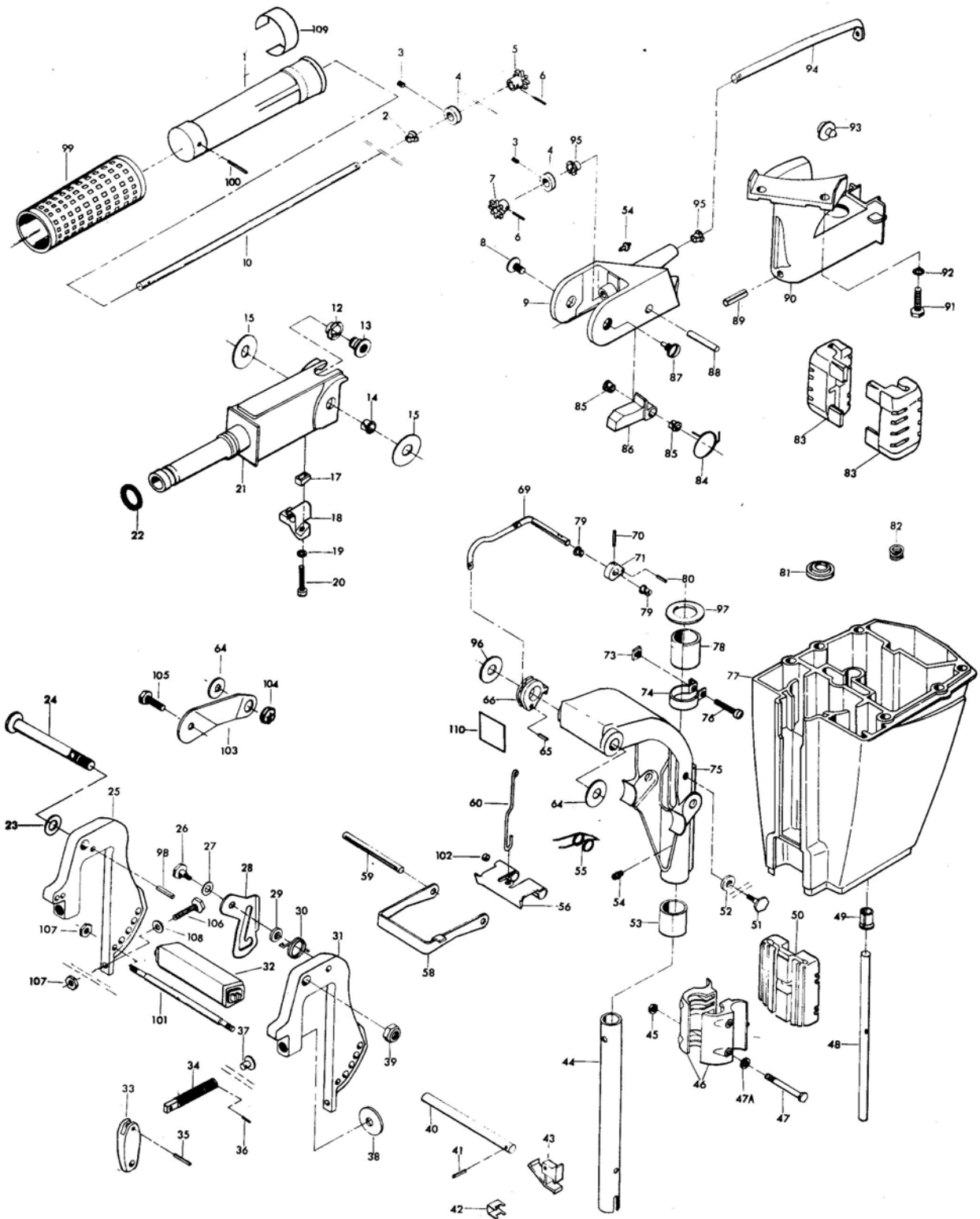
+ Denotes new part number.

Continued

ILLUS NO.	PART NO.	QTY.	DESCRIPTION
80	1794	1	Spring pin
81	901307-2	1	Seal, driveshaft
82	286414	1	Spring, leg water bracket
83	517347	2	Shock mount upper
84	286868	1	Spring, steering handle stop
85	197813	2	Bearing, steering handle stop
86	286490	1	Steering handle stop
87	286080	1	Screw, steering handle pivot
88	1807	1	Groove pin
89	1805	1	Spring pin
90	A286582	1	Steering arm w/spring pin & bumper
91	1502	2	Hex cap screw, 1/4 - 20 x 5/8
92	8060	2	External tooth lockwasher
93	286539	1	Bumper
94	431838	1	Magneto control shaft
95	307818	2	Bearing
+96	525286	1	Washer
97	286011	1	Washer, swivel bracket
98	8538	1	Spring pin
99	458695	1	Sleeve
100	8548	1	Spring pin
101	517273	1	Tie bar
102	516677	2	Spacer, reverse lock
103	517078	1	Bracket, lock steering
104	516697	1	Nut, steering lock bracket
105	516552	1	Screw, steering lock bracket
106	1887	2	Hex slotted hd screw, 1/4 - 20 x 3 3/16
107	7024	4	Lock nut
108	2012	2	Plain washer
109	286894-3	1	Speed control indicator
	C286894-3	1	Speed control indicator - Canada
110	286585-1	1	Decal, tilt release
	C286585-1	1	Decal, tilt release - Canada

+ Denotes new part number

Order by Part Number and Name, giving Motor Model and Serial Number.

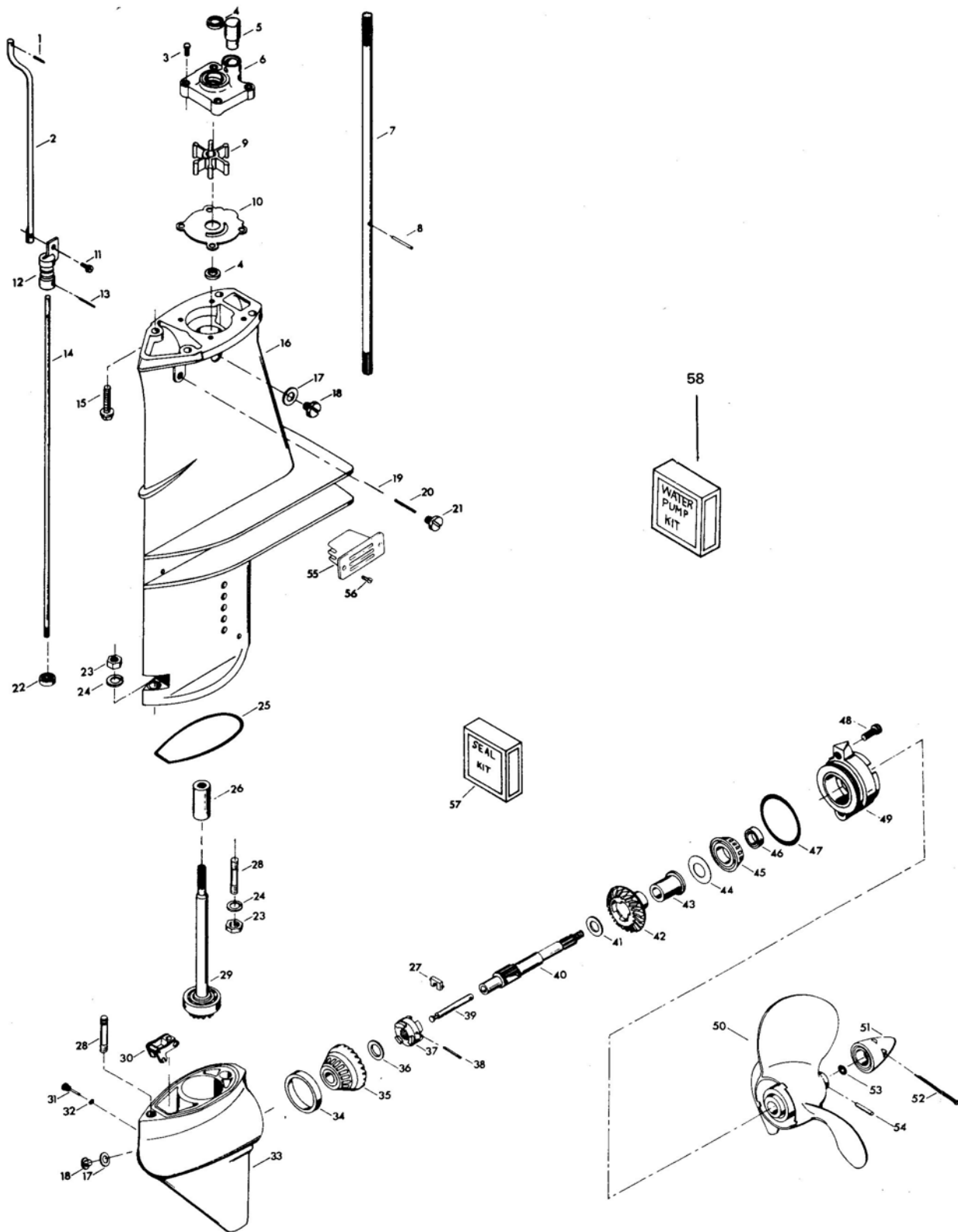


Gear Housing

ILLUS. NO.	PART. NO.	QTY.	DESCRIPTION
1	8542	1	Spring pin
2	286615	1	Gear shift rod upper
3	2030	4	Hex hd screw, 1/4 - 20 x 1 1/4
4	901307-2	2	**Seal
5	A510914	1	Seal, inlet water line
6	A504060	1	Water pump body w/water pump seal
7	343128	1	Driveshaft
8	901563	1	Water pump impeller drive pin
9	436065	1	Water pump impeller
10	341562	1	Water pump back plate
11	1976	1	Socket hd screw w/washer, 10 - 24 x 1/2
12	516704-1	1	Coupling shift rod
13	8540	1	Spring pin
14	516705	1	Gear shift rod lower
15	430732	4	Hex hd screw, 5/16 - 18 x 1 1/4
16	A517554-3	1	Gear housing upper w/bearing, seals, washer and plug
17	*8077	2	**Nyltite washer
18	*50109	2	Gear housing plug
19	516584	1	Guide, spring detent
20	516895	1	Spring, shift detent
21	516885	1	Plug, spring holding
22	338618-1	1	**Seal, shift rod lower
23	1346	2	Hex nut, S.S., 3/8 - 16
24	8065	2	Lockwasher
25	435555	1	**Seal, gear housing lower
26	517125	1	Coupling, driveshaft
27	90619-1	1	Yoke
28	40008	2	Stud
29	*2A516266	1	Pinion shaft w/bearing
30	*A435621-1	1	Gear shift arm
31	*498891	1	Gear shift arm pin
32	*498618	1	**Seal "O" ring
33	*A516054	1	Gear housing lower w/plug, washer and bearing cup
	C516054	1	Gear housing Complete (not shown). Includes all items marked with an asterisk (*).
34	*458250	1	Bearing cup
35	*2A516023	1	Bevel gear forward w/bearing
36	2087	a/r	Spacer, bevel gear front .056
	2055	a/r	Spacer, bevel gear front .059
	2056	a/r	Spacer, bevel gear front .062
	2057	a/r	Spacer, bevel gear front .065
	2058	a/r	Spacer, bevel gear front .068
	2059	a/r	Spacer, bevel gear front .071
	2060	a/r	Spacer, bevel gear front .074
	2061	a/r	Spacer, bevel gear front .077
	2062	a/r	Spacer, bevel gear front .080
	2063	a/r	Spacer, bevel gear front .083
	2064	a/r	Spacer, bevel gear front .086
37	*99521-1	1	Clutch
38	2097	1	Spring clutch
39	*90871-3	1	Gear shift arm pin
40	*A474098	1	Propeller shaft
41	*40717	1	Thrust washer bevel gear
42	*516662	1	Gear, bevel rear
43	*474143	1	Bearing, bevel gear rear
44	2052	a/r	Shim propeller shaft bearing .005 (Silver)
	2053	a/r	Shim propeller shaft bearing .006 (Red)
	2054	a/r	Shim propeller shaft bearing .008 (Black)
45	*474225	1	Bearing, propeller shaft reverse thrust
46	*141118	1	**Seal, propeller shaft
47	*141305	1	**Seal, propeller shaft bearing cage
48	*1994	2	Hex socket hd cap screw, 5/16 - 18 x 1
49	*2A474298	1	Propeller shaft bearing cage w/seals and bearing cup
50	P278	1	Propeller nut w/seal & cotter pin
51	A94094-2	1	Propeller nut w/seal & cotter pin
52	1027	1	Cotter pin
53	40342	1	**Seal, propeller nut
54	K247	1	Propeller pin (pack of 6 w/cotter pin)
55	A516485	1	Anticorrosion anode
56	1733	2	Pan hd screw 10 - 24 x 9/16
+57	K1064	1	Gear housing seal kit. Includes all items marked with a double asterisk (**)
58	K1031-1	1	Water pump kit

+Denotes new part number

Order by Part Number and Name, giving Motor Model and Serial Number.

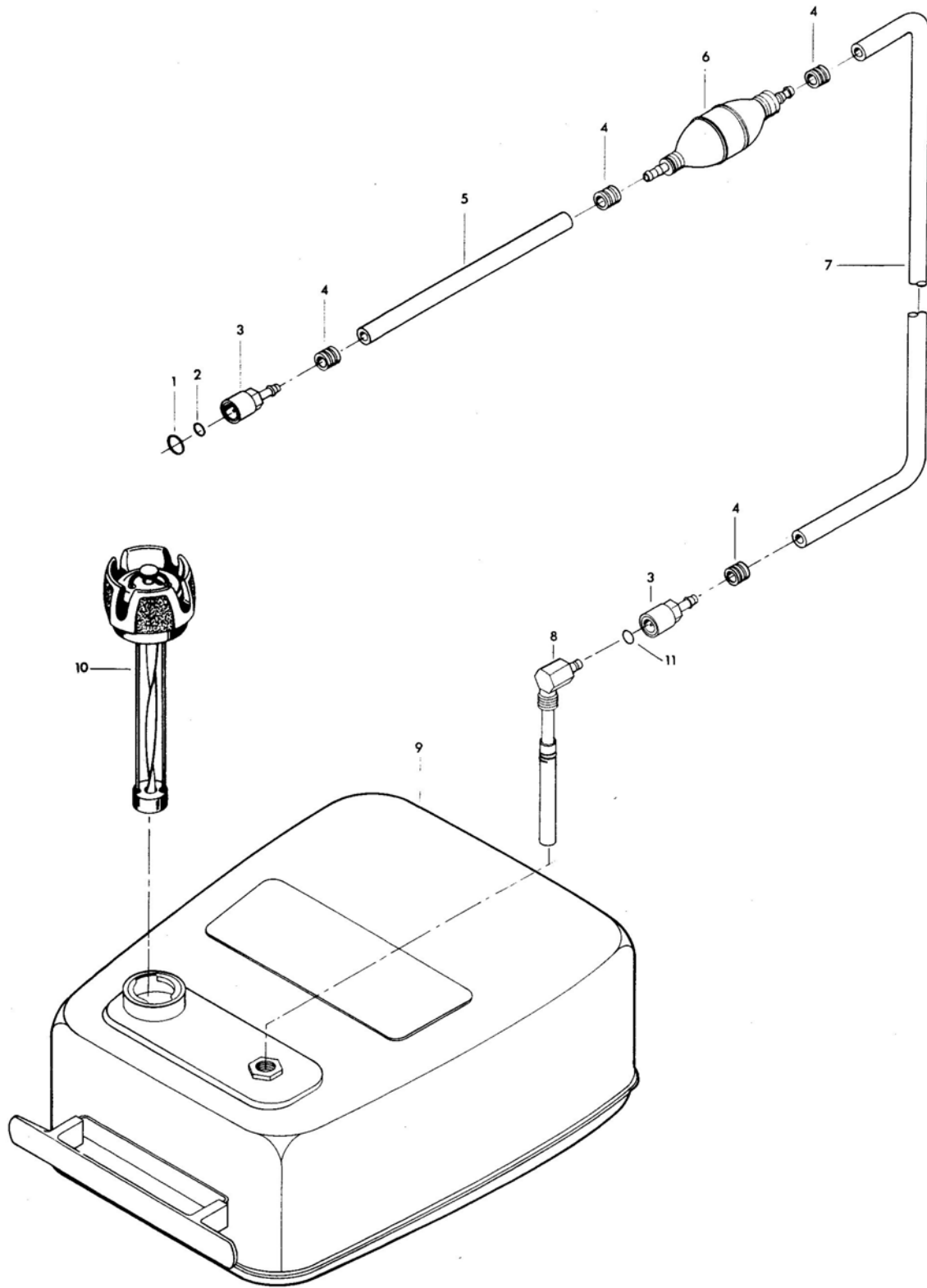


Fuel Tank and Line

ILLUS. NO.	PART NO.	QTY.	DESCRIPTION
1	213342	1	Seal, fuel line coupler
2	213735	1	Seal, fuel line coupler
3	197787-3	2	Fuel line coupler
4	298788	4	Ferrule
5	A84754-1	1	Fuel line short w/ferrules
6	S387766-1	1	Prime bulb
7	A197752-1	1	Fuel line, long w/clamp and ferrule
8	485755-1	1	Fuel tank adapter
9	5H027	1	Fuel tank (Accessory Item)
10	409251-1	1	Gauge cap
11	17932	1	Seal
	S409752	1	Fuel line complete (not shown)
	C409398	1	Decal, tote tank - Canada (not shown)

+ Denotes new part number..

Order by Part Number and Name, giving Motor Model and Serial Number.



Special Tools

The following is a listing of basic special tools required to service the 12 H.P. Sailor Chrysler Outboard Motor. Refer to the "Parts Price List" for prices and ordering instructions.

PART NO.	DESCRIPTION	TUNE-UP	USE
T2909	Knock-Off Nut		To remove flywheel
T2989	Flywheel Wedge		To remove flywheel
POWER HEAD			
T2908	Seal Sleeve		To install upper crankshaft bearing cage seal
T8929	Adapter and Hex Bit		To torque connecting rod screws
T8949	Seal Installer		To install lower crankshaft seal
T2997	Ring Compressor		To install pistons
T8926	Ring Expander		To install rings on pistons
T3012	Seal Installer		To remove and install crankshaft bearing cage seal
LOWER UNIT			
T8904	Forward Cup Installer		To install forward bearing cup
T8907	Driver Handle		To install forward bearing cup
T8921	Cup Remover		To remove forward bearing cup
T8918	Bearing Guide Set		To remove forward bearing cup
T3413	Seal Installer		To install propeller shaft seal
T8919	Spring Pin Punch		To remove clutch pin
T2907	Seal Installer		To install driveshaft seal - water pump and gear housing
T8948-1	Puller		To remove propeller shaft bearing cage
T8985	Seal Installer		To install propeller shaft seal
T8957	Seal Installer		To install shift rod seal
T8920	Bearing Installer		To install propeller shaft bearing
T8924-1	Checking Gauge		To shim lower unit
T8982	Shim Adapter		To use with checking gauge (T8924-1)
T8995	Shim Spacer		To use with checking gauge (T8924-1)
T8901	Indicator Holder		To use with checking gauge T8924-1
T8902	Dial Indicator		To use with checking gauge T8924-1
TEST EQUIPMENT			
T2954A	Test Wheel		To test motor in test tank
T8950	Leakage Tester		To test lower unit seal for leaks
T8996	Ignition Tester		To test trigger output
T8953	C-D Tester		To test stator output and secondary voltage
LUBRICANTS AND SEALANTS			
T2961	Lubricant		
T2987	Lubricant		
T8969	Lubricant		
T8983	Sealant		
T8936	Sealant		
T2962-1	Sealant		
T2963-1	Sealant		
T8935	Sealant Primer		

Accessories

MODEL NO.	DESCRIPTION	USE
5H013	Flushing Adapter	Permits fresh water flushing of water passages with standard garden hose.
5H062	Water Pump Kit	Heavy duty water pump recommended for continued operation in sandy or salt water.
5H088	Remote Control Conversion Kit	Permits remote control of throttle and gear shift from front of boat.
5H130	Synchro-Drive Control Box (Single Lever)	Permits remote control of throttle and gear shift from starboard side of boat.
5H131	Port Side Decal Kit	Converts 5H130 control box to port side mounting.
167	Ignition Cut-Off Kit	Permits stopping of engine from operators seat.
195-6 thru 195-40	Remote Control Cables	Connects remote control box to throttle and gear shift on motor. Available in 6 through 40 foot lengths.
5H054	Remote Steering Bracket	Adapts motor to remote steering.
5H027 476	Steel, 6 Gallon Fuel Tank w/Hose Fuel Line Adaption Kit	Auxilliary tank. Adapts model 583 and 5H027 tanks for disconnect at tank.
491	Carrying Handle	Provides carrying handle on rear of engine.
5H090	Remote Start Kit	Permits starting of engine from front of boat.
5H134	Boat White Lacquer	Engine touch-up paint in 12 3/4 oz. spray bombs (12 cans per case).
5H135	Sand Tan Lacquer	Engine touch-up paint in 12 3/4 oz. spray bombs (6 cans per case).
	Chrysler Outboard Oil	Chrysler Outboard Oil is compounded from selected high quality heat resistant base oil and a non-metallic additive to lubricate and maintain cleanliness of Chrysler Outboard motors. Chrysler Outboard Oil is available in pint cans, six-pack cartons (6 pints) and cases (24 pints).
	Chrysler Outboard Gear Lube	Chrysler Outboard Gear Lube is an extreme pressure lubricant formulated to handle the high gear loads present in an outboard lower unit. Chrysler Outboard Gear Lube prevents rust and corrosion of the lower unit working parts, allows the lower unit to work more efficiently and last longer. Chrysler Outboard Gear Lube is available in 8 ounce plastic tubes and 12 tube cases.
	Chrysler Outboard Fuel Aid	Removes moisture, prevents sludge and varnish and stabilizes gas. Available in 16 oz. cans and 12 can cases.
	Chrysler Outboard Storage Lubricant	Works as a corrosion inhibitor and protects internal engine parts during storage. Available in 18 oz. cans and 12 can cases.
	Chrysler Outboard Multi-Purpose Spray Lube	Works as a lubricant, cleaner moisture remover and electric insulator. Available in 9 oz. cans and 12 can cases.
	Chrysler Outboard Multi-Purpose Grease	Lubricates bearings and other moving parts. Available in 8 oz. tubes and 12 tube cases.
	Chrysler Outboard Grease Gun	Used with Chrysler Outboard multi-purpose grease tubes for pressure fittings.
	Chrysler Outboard Multi-Purpose Cleaner	Cleans metal, painted fiberglass and vinyl surfaces. Available in 32 oz. plastic bottles and 12 bottle cases.

The following literature is also available for the 12 H.P. Sailor Chrysler Outboard Motor:

OB 3035	Owners Guide
OB 3037	Operators Manual
OB 1029-1	Service Manual
OB 2280	Service Manual Suppl.



CHRYSLER
Marine