

Pirateer

Masthead Detail-A
Page 373-4

Tang Detail-B
Page 373-5

Spreader Detail-C
Page 373-6

Stemhead Detail-H
Page 373-11

Gooseneck Detail-D
Page 373-7

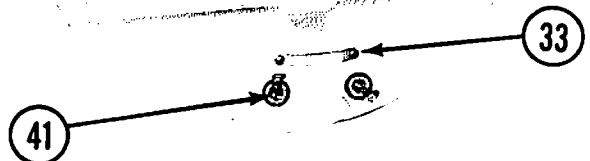
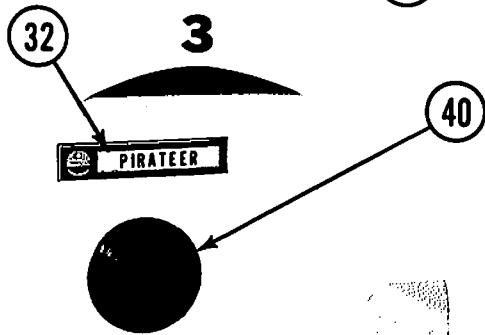
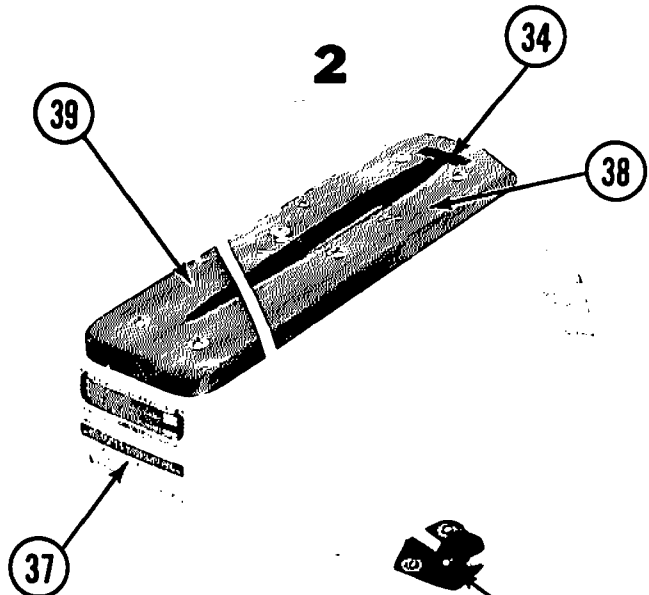
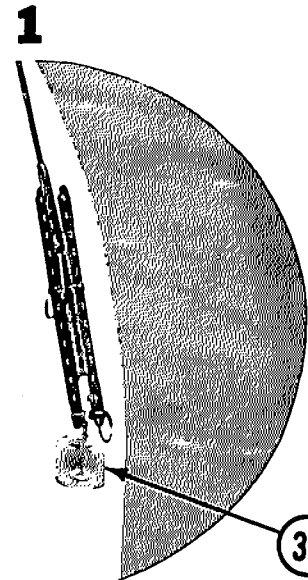
Midboom Detail-F
Page 373-9

Mainsheet Detail-G
Page 373-10

Mastheel Detail-E
Page 373-8

Rudder Detail-J
Page 373-12

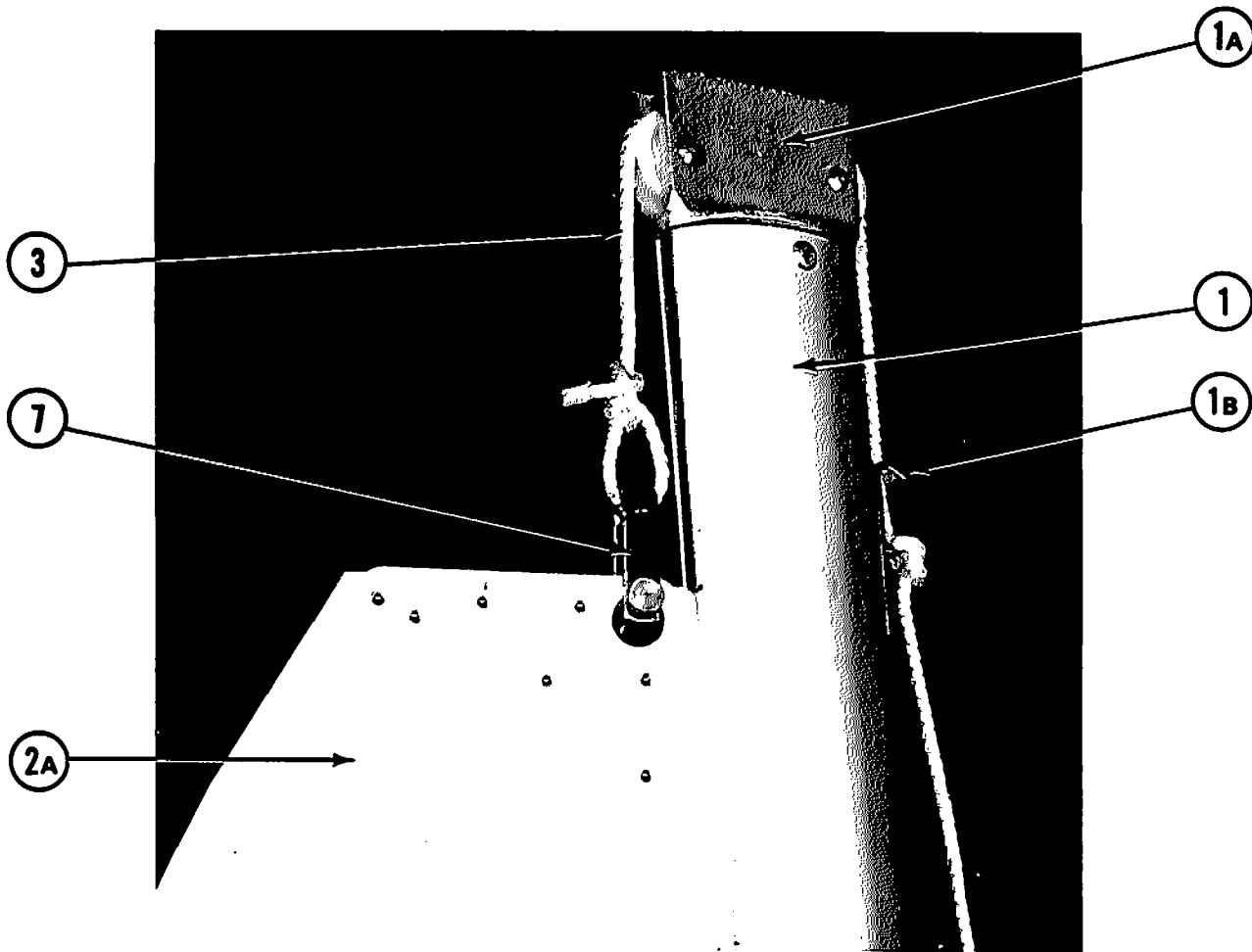
Pirateer



REF. NO.	PART NO.	DESCRIPTION
	814580	Warranty Packet
	51503	Gelcoat-Off White-Exterior
	800872	Repair Kit Off White-Exterior
	51605	Gelcoat-Orange-Exterior
	801963	Repair Kit-Orange-Exterior
31	25429	Clam Cleat with Fairlead
32	26887	I.D. Plate (Pirateer)
32A	31621	Fastener Clip
33	814582	Footman Loop
34	829164	Snubber Hose-26877-5/8 x 2"
36	816076	Chain Plate
37	26909	B.I.A. Plate
38	25438	Cap Dagger Board Trunk-Starboard
39	25439	Cap Dagger Board Trunk-Port
40	25226	Inspection Cover-
41	25249	Drain Plug
42	25450	Gudgeon Casting For Rudder
43	842969	Serial no. Plate
44	24372	Bow Eye

Pirateer

DETAIL - A



REF. NO.	PART. NO.	DESCRIPTION
1	816091	Mast Assembly (Contains 1A thru 1L)
1A	25119	Mast Head Casting
1B	25265	Halyard Hook
1C	25127	Tang (See Detail B Page 373-5)
1D	25128	Tang (See Detail B Page 373-5)
1E	25133	Spreader Bracket (See Detail C Page 373-6)
1F	25434	Goose Neck (See Detail D Page 373-7)
1G	25244	Clam Cleat (See Detail D Page 373-7)
1H	25110	Strap (Not Shown-Located just below Gooseneck-Port)
1J	25086	Cleat Spar 3 1/4" (See Detail E Page 373-8)
1K	844453	Casting Mast Heel (Drilled & Tapped)(See Detail-E Page 373-8)
1L	816054	Mast Heel Plate (See Detail E Page 373-8)
2	25437	Sail Set with Battens
2A	85309	Main Sail
2B	85307	Jib Sail (See Detail B Page 373-5)
2C	85308	Battens (Set of 3) Not Shown
3	829151	Main Halyard 3/16" x 36ft.
7	25023	Shackle (Halyard)

Pirateer

Pirateer

Masthead Detail-A
Page 373-4

Tang Detail-B
Page 373-5

Spreader Detail-C
Page 373-6

Stemhead Detail-H
Page 373-11

Gooseneck Detail-D
Page 373-7

Midboom Detail-F
Page 373-9

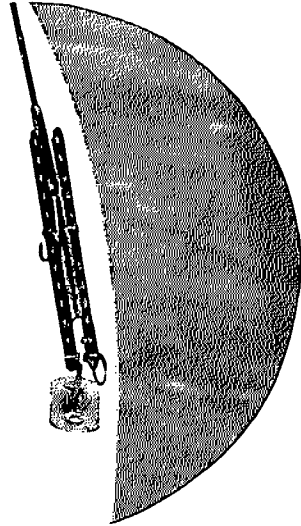
Mainsheet Detail-G
Page 373-10

Mastheel Detail-E
Page 373-8

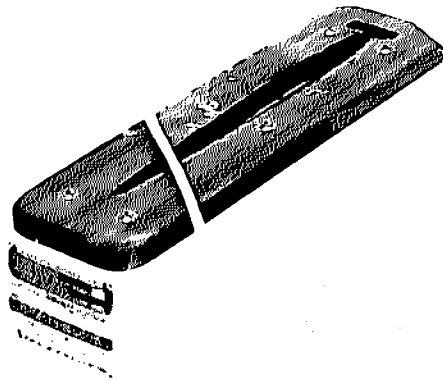
Rudder Detail-D
Page 373-12

Pirateer

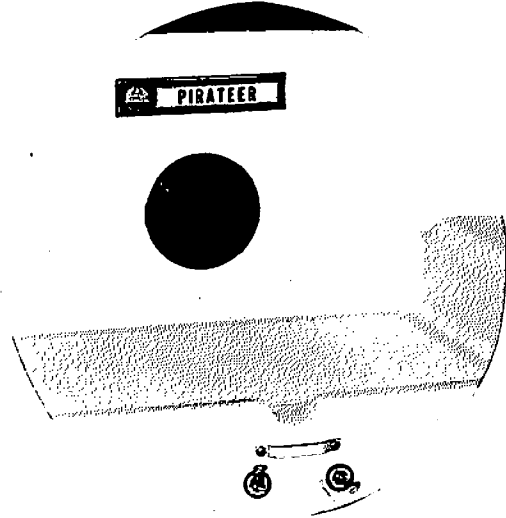
1



2



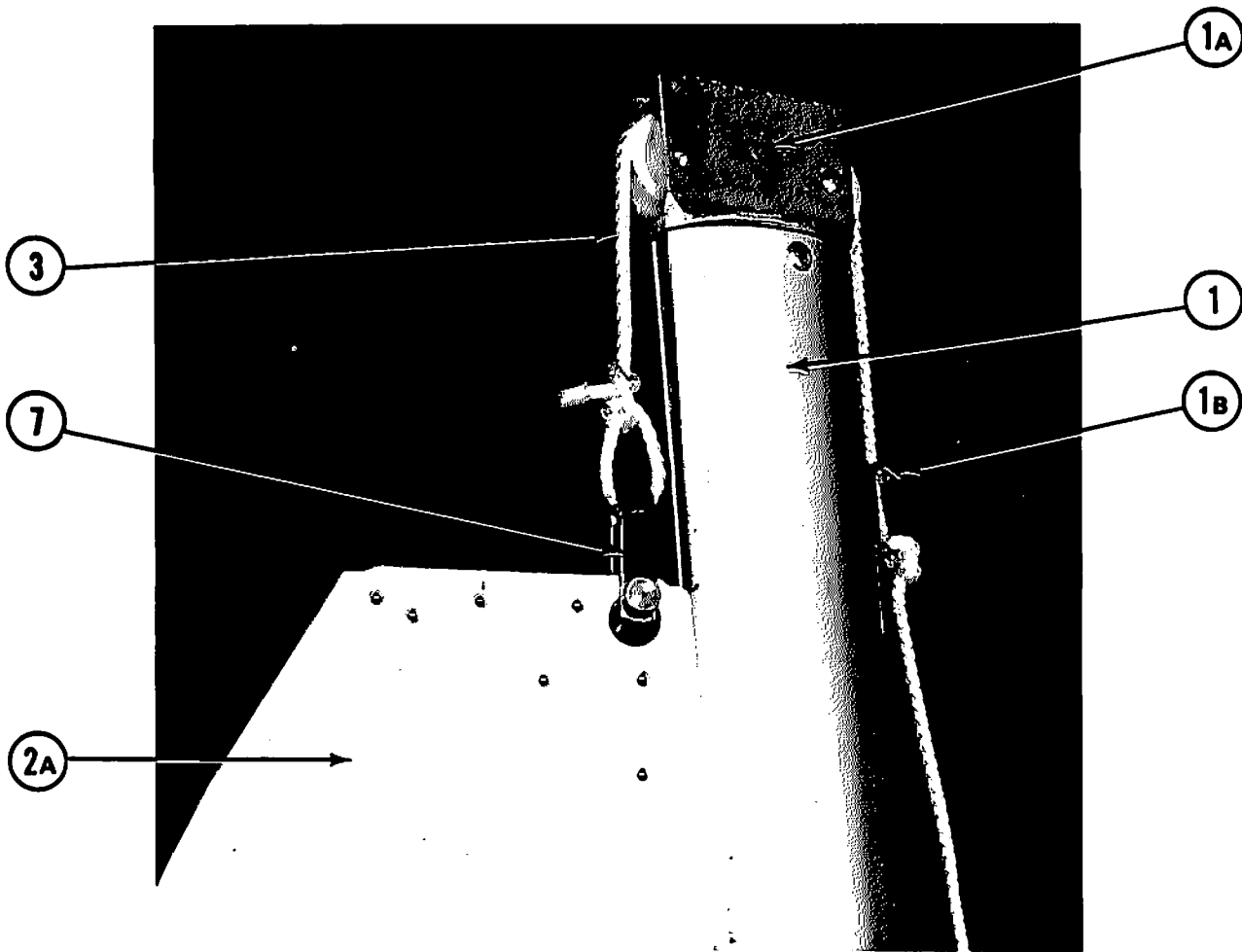
3



REF. NO.	PART NO.	DESCRIPTION
	814580	Warranty Packet
	51503	Gelcoat-Off White-Exterior
	800872	Repair Kit Off White-Exterior
	51605	Gelcoat-Orange-Exterior
	801963	Repair Kit-Orange-Exterior
31	25429	Clam Cleat with Fairlead
32	26887	I.D. Plate (Pirateer) Not Shown
32A	31621	Fastener Clip
33	814582	Footman Loop (not shown)
34	829164	Snubber Hose-26877-5/8 x 2" (not shown)
36	816076	Chain Plate (not shown)
37	26909	B.I.A. Plate
38	25438	Cap Dagger Board Trunk-Starboard
39	25439	Cap Dagger Board Trunk-Port
40	25226	Inspection Cover-(Not Shown)
41	25249	Drain Plug
42	25450	Gudgeon Casting For Rudder
43	842969	Serial no. Plate
44	24372	Bow Eye

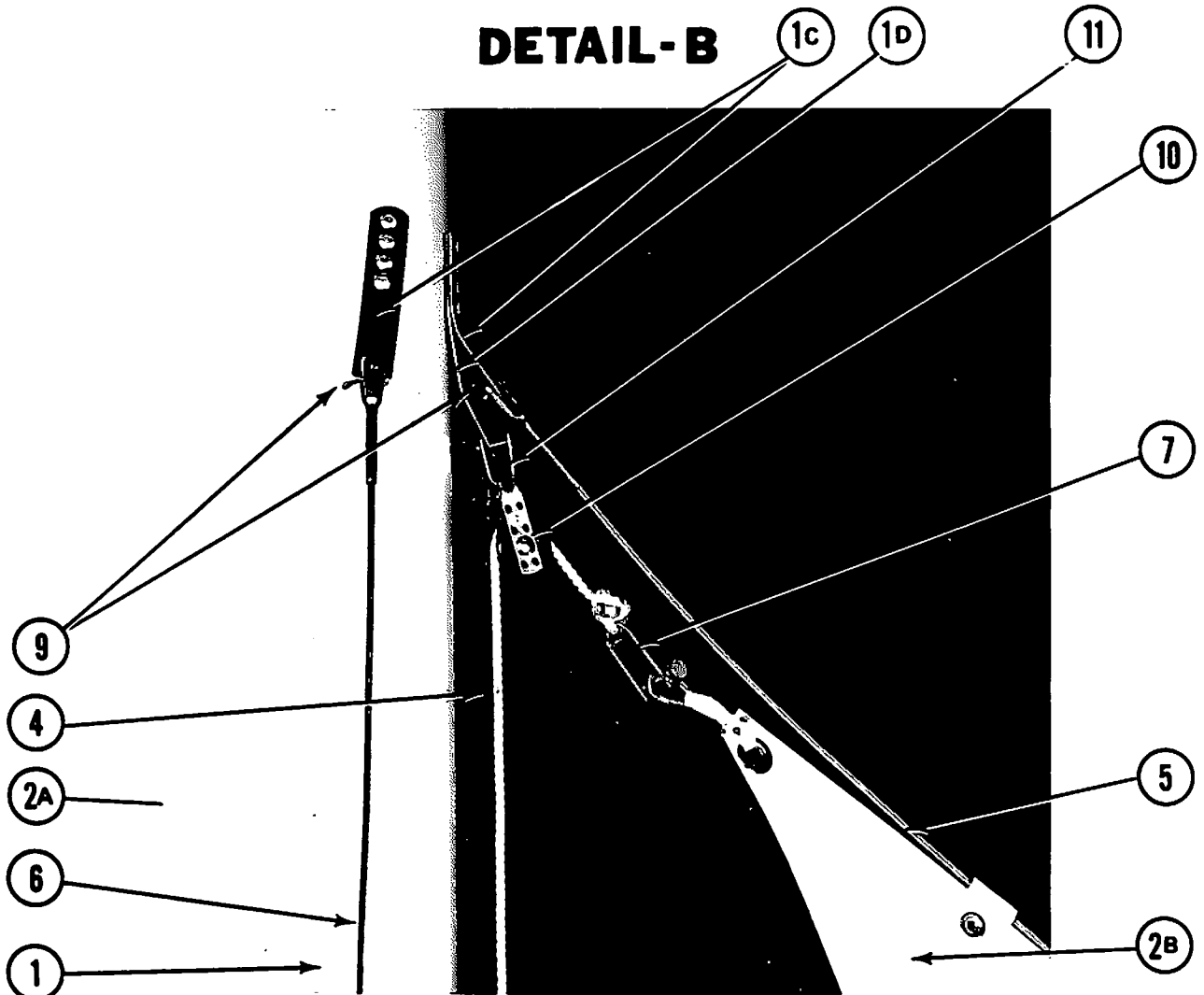
Pirateer

DETAIL - A



REF. NO.	PART. NO.	DESCRIPTION
1	816091	Mast Assembly (Contains 1A thru 1L)
1A	25119	Mast Head Casting
1B	25265	Halyard Hook
1C	25127	Tang (See Detail B Page 373-5)
1D	25128	Tang (See Detail B Page 373-5)
1E	25133	Spreader Bracket (See Detail C Page 373-6)
1F	25434	Goose Neck (See Detail D Page 373-7)
1G	25244	Clam Cleat (See Detail D Page 373-7)
1H	25110	Strap (Not Shown-Located just below Gooseneck-Port)
1J	25086	Cleat Spar 3 1/4" (See Detail E Page 373-8)
1K	844453	Casting Mast Heel (Drilled & Tapped)(See Detail-E Page 373-8)
1L	816054	Mast Heel Plate (See Detail E Page 373-8)
2	25437	Sail Set with Battens
2A	85309	Main Sail
2B	85307	Jib Sail (See Detail B Page 373-5)
2C	85308	Battens (Set of 3) Not Shown
3	829151	Main Halyard 3/16" x 36ft.
7	25023	Shackle (Halyard)

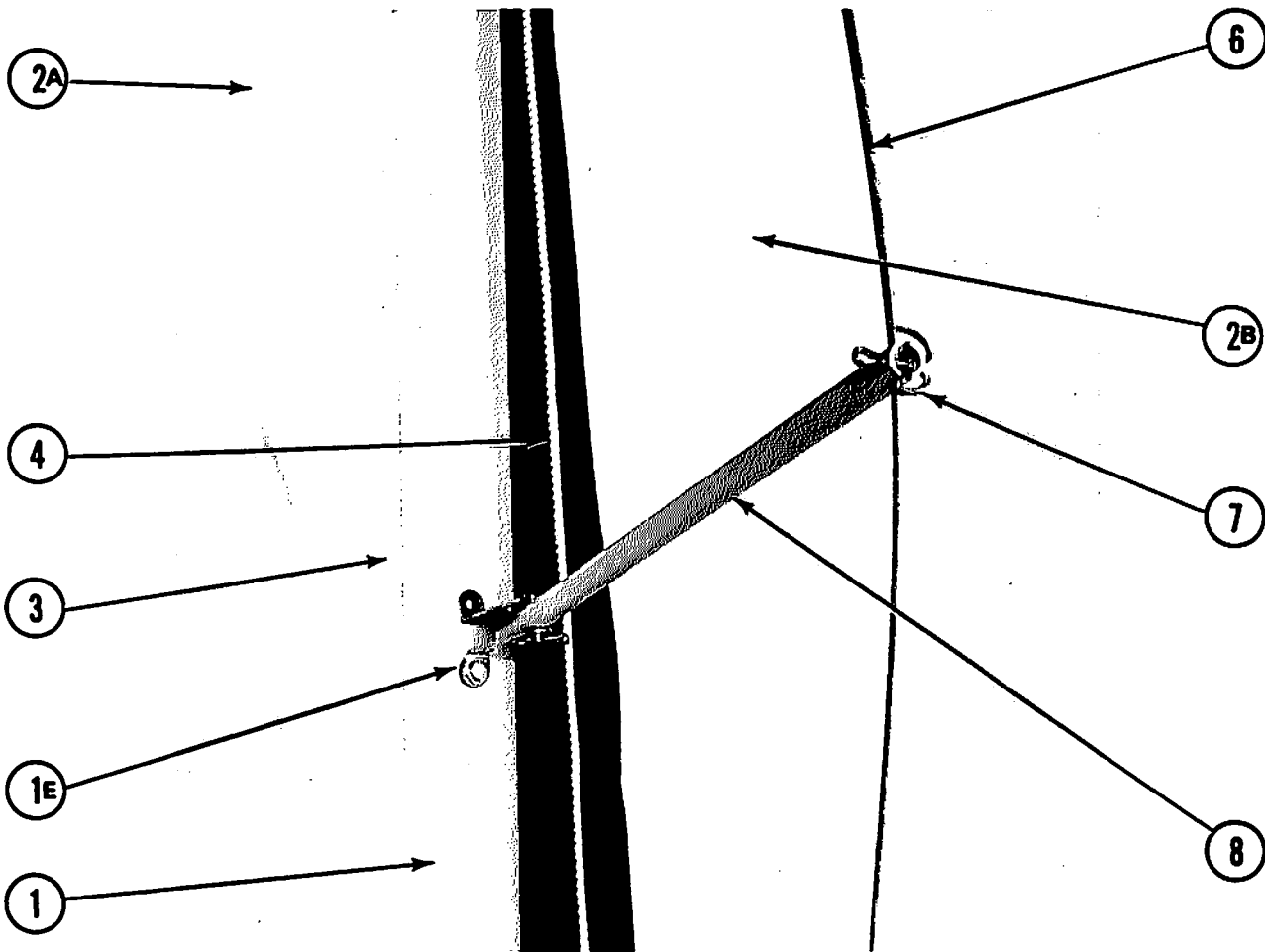
Pirateer

DETAIL-B

REF. NO.	PART NO.	DESCRIPTION
1	816091	Mast Assembly (Contains 1A thru 1L)
1A	25119	Mast Head Casting (See Detail A Page 373-4)
1B	25265	Halyard Hook (See Detail A Page 373-4)
1C	25127	Tang (Forestay)
1D	25128	Tang (Jib Block)
1E	25133	Spreader Bracket (See Detail C Page 373-6)
1F	25434	Goose Neck (See Detail D Page 373-7)
1G	25244	Clam Cleat (See Detail D Page 373-7)
1H	25110	Strap (Not Shown-Located Just Below Gooseneck-Port)
1J	25086	Cleat Spar 3 1/4" (See Detail E Page 373-8)
1K	844453	Casting Mast Heel (Drilled & Tapped) (See Detail E Page 373-8)
1L	816054	Mast Heel Plate (See Detail E Page 373-8)
2	25437	Sailset with Battens
2A	85309	Main Sail (See Page 373-4 Detail A)
2B	85307	Jib Sail
2C	85308	Battens (Set of 3) Not Shown
4	829150	Jib Halyard 1/4" x 26ft. 8 in.
5	816093	Forestay 1/8 x 12ft. 1 in.
6	816094	Shroud 1/8 x 12ft. 10in.
7	25023	Shackle (Halyard)
9	25035	Cotter Pin 1/16" x 1/2"
10	25294	Bullet Block (Jib)
11	25255	Shackle (Jib Tang)

Pirateer

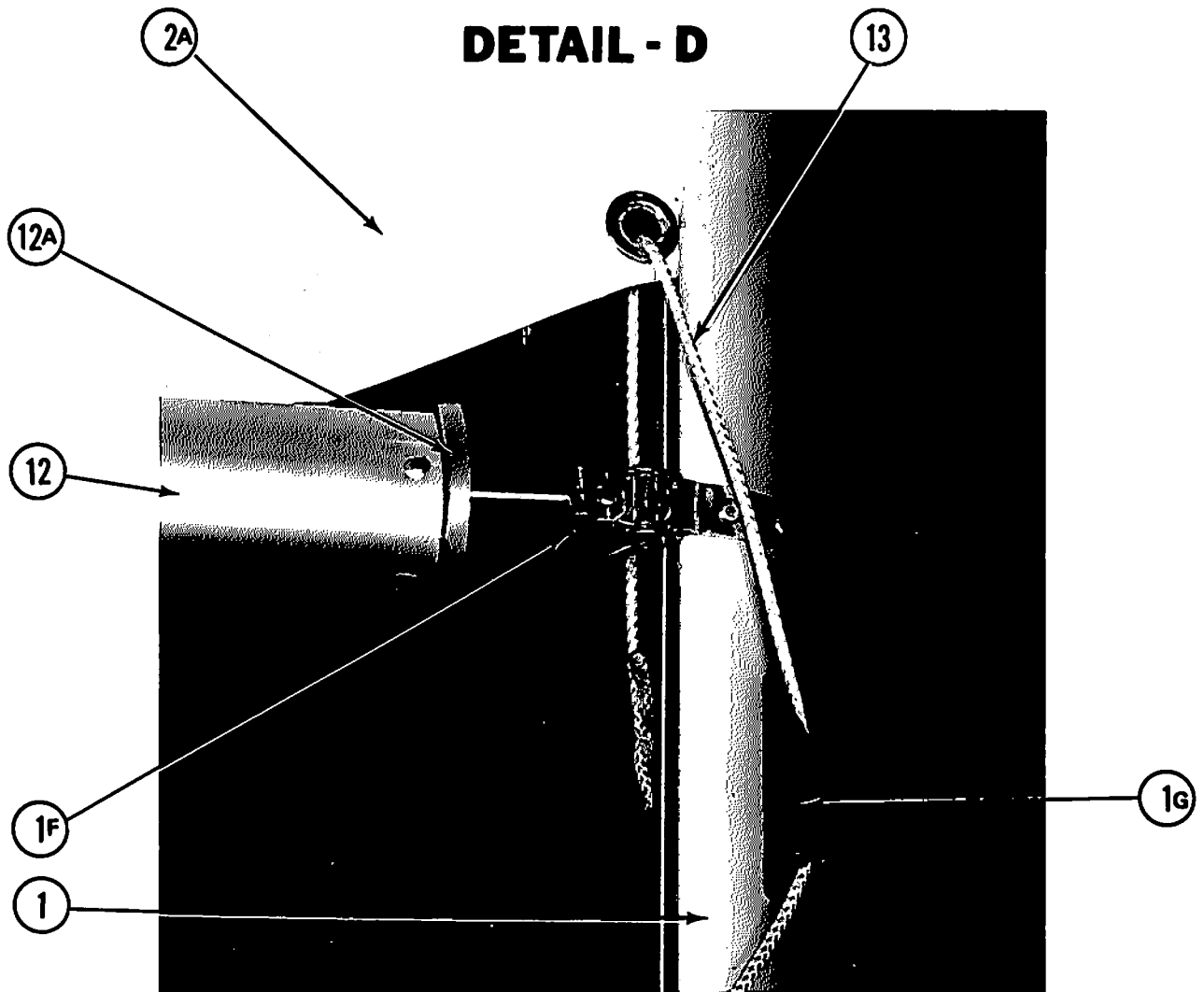
DETAIL-C



REF. NO.	PART NO.	DESCRIPTION
1	816091	Mast Assembly (Contains 1A Thru 1L)
1A	25119	Mast Head Casting (See Detail A Page 373-4)
1B	25265	Halyard Hook (See Detail A Page 373-4)
1C	25127	Tang (See Detail B Page 373-5)
1D	25128	Tang(See Detail B Page 373-5)
1E	25133	Spreader Bracket with Clevis Pin & Cotter Pin
1F	25434	Gooseneck (See Detail D Page 373-7)
1G	25244	Clam Cleat (See Detail D Page 373-7)
1H	25110	Strap (Not Shown-Located Just Below Gooseneck-Port)
1J	25086	Cleat Spar 3 1/4" (See Detail E Page 373-8)
1K	844453	Casting Mast Heel (Drilled & Tapped)(See Detail E Page 373-8)
1L	816054	Mast Heel Plate (See Detail E Page 373-8)
2	25437	Sailset with Battens
2A	85309	Main Sail
2B	85307	Jib Sail
2C	85308	Battens (Set of #3) Not Shown
4	829150	Jib Halyard 1/4" x 26ft. 8in.
6	816094	Shroud 1/8" x 12ft. 10in.
7	25288	Cotter Pin 1/8" x 1 1/4"
8	844442	Spreader
3	829151	Main Halyard 3/16" x 36ft.

Pirateer

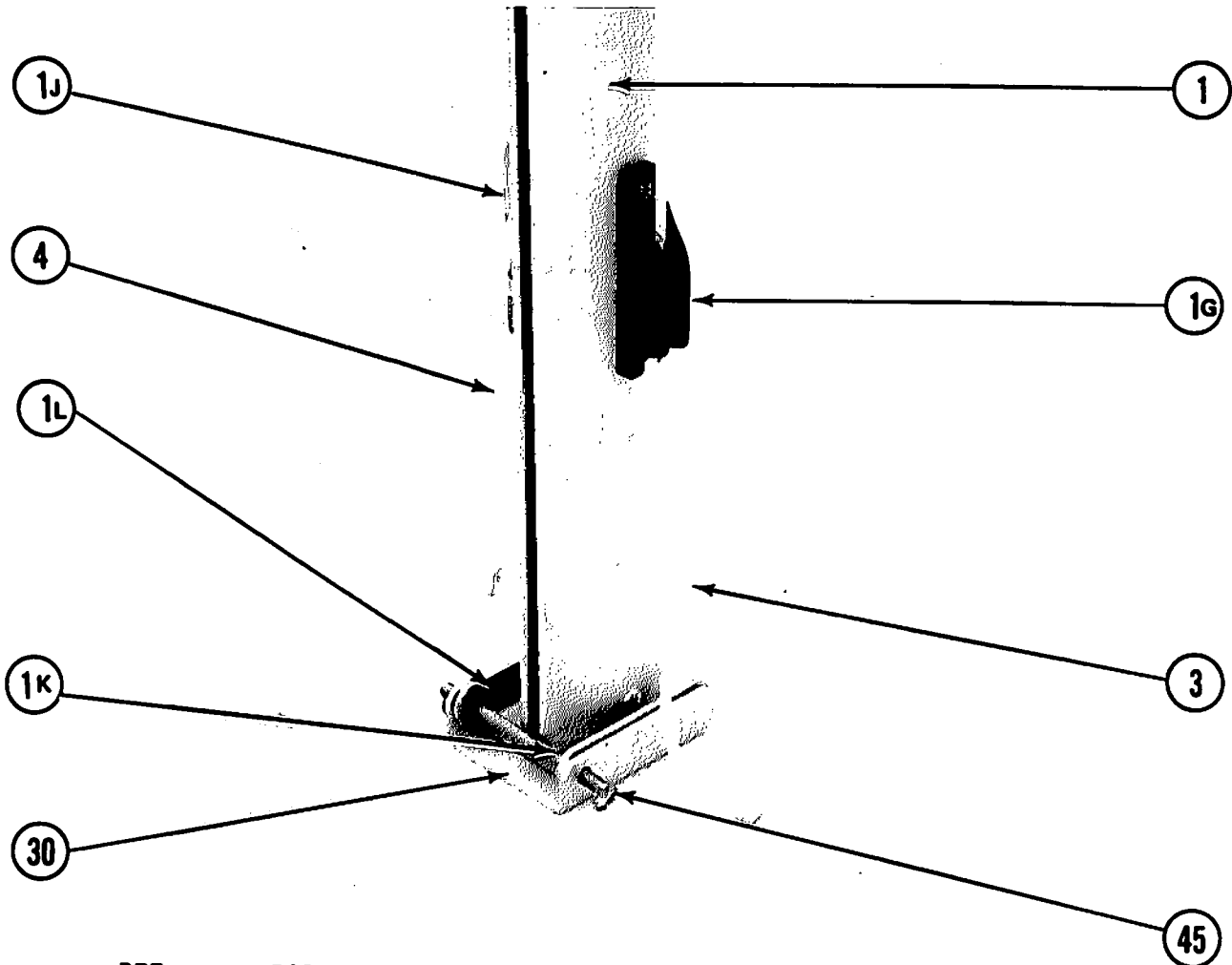
DETAIL - D



REF. NO.	PART NO.	DESCRIPTION
1	816091	Mast Assembly (Contains 1A thru 1L)
1A	25119	Mast Head Casting (See Detail A page 373-4)
1B	25265	Halyard Hook (See Detail A Page 373-4)
1C	25127	Tang (See Detail B Page 373-5)
1D	25128	Tang (See Detail B Page 373-5)
1E	25133	Spreader Bracket (See Detail C Page 373-6)
1F	25434	Gooseneck
1G	25244	Clam Cleat
1H	25110	Strap (Not Shown-Located Just Below Gooseneck-Port)
1J	25086	Cleat Spar 3 1/4" (See Detail E Page 373-8)
1K	844453	Casting Mast Heel (Drilled & Tapped)(See Detail E Page 373-8)
1L	816054	Mast Heel Plate (See Detail E Page 373-8)
2	25437	Sailset with Battens
2A	85309	Main Sail
2B	85307	Jib Sail (See Detail B Page 373-5)
2C	85308	Battens (Set of 3) Not Shown
12	816092	Boom Assembly
12A	844454	Casting Forward Boom End
12B	25123	Casting Outhaul *(See Detail G Page 373-10)
12C	25433	Nylon Sail Slide (See Detail G Page 373-10)
12D	844445	Track Main Sheet (See Detail F Page 373-9)
13	829154	Down Hual 3/16" x 36" (or Outhaul See Page 373-10)

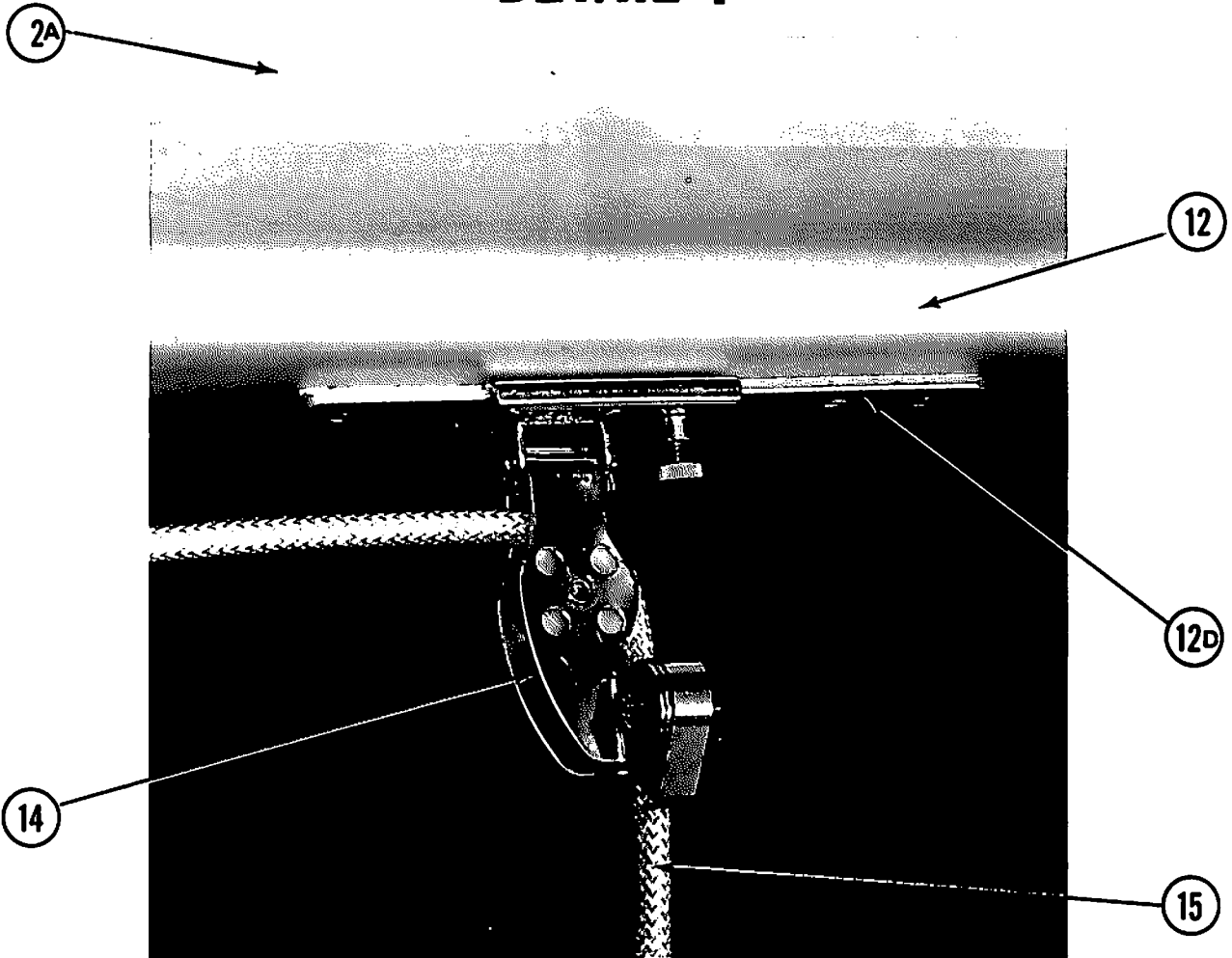
Pirateer

DETAIL-E



REF. NO.	PART NO.	DESCRIPTION
1	816091	Mast Assembly *(Contains 1A thru 1L)
1A	25119	Mast Head Casting(See Detail A Page 373-4)
1B	25265	Halyard Hook (See Detail A Page 373-4)
1C	25127	Tang (See Detail B Page 373-5)
1D	25128	Tang (See Detail B Page 373-5)
1E	25133	Spreader Bracket (See Detail C Page 373-6)
1F	25434	Gooseneck (See Detail D Page 373-7)
1G	25244	Clam Cleat (See Detail D Page 373-7)
1H	25110	Strap (Not Shown-Located Just Below Gooseneck-Port)
1J	25086	Cleat Spar 3 1/4"
1K	844453	Casting Mast Heel (Drilled & Tapped)
1L	816054	Mast Heel Plate
3	829151	Main Halyard 3/16" x 36ft.
4	829150	Jib Halyard 1/4in x 28ft. 8in.
30	816053	Mast Step
45	25215	Pin Mast

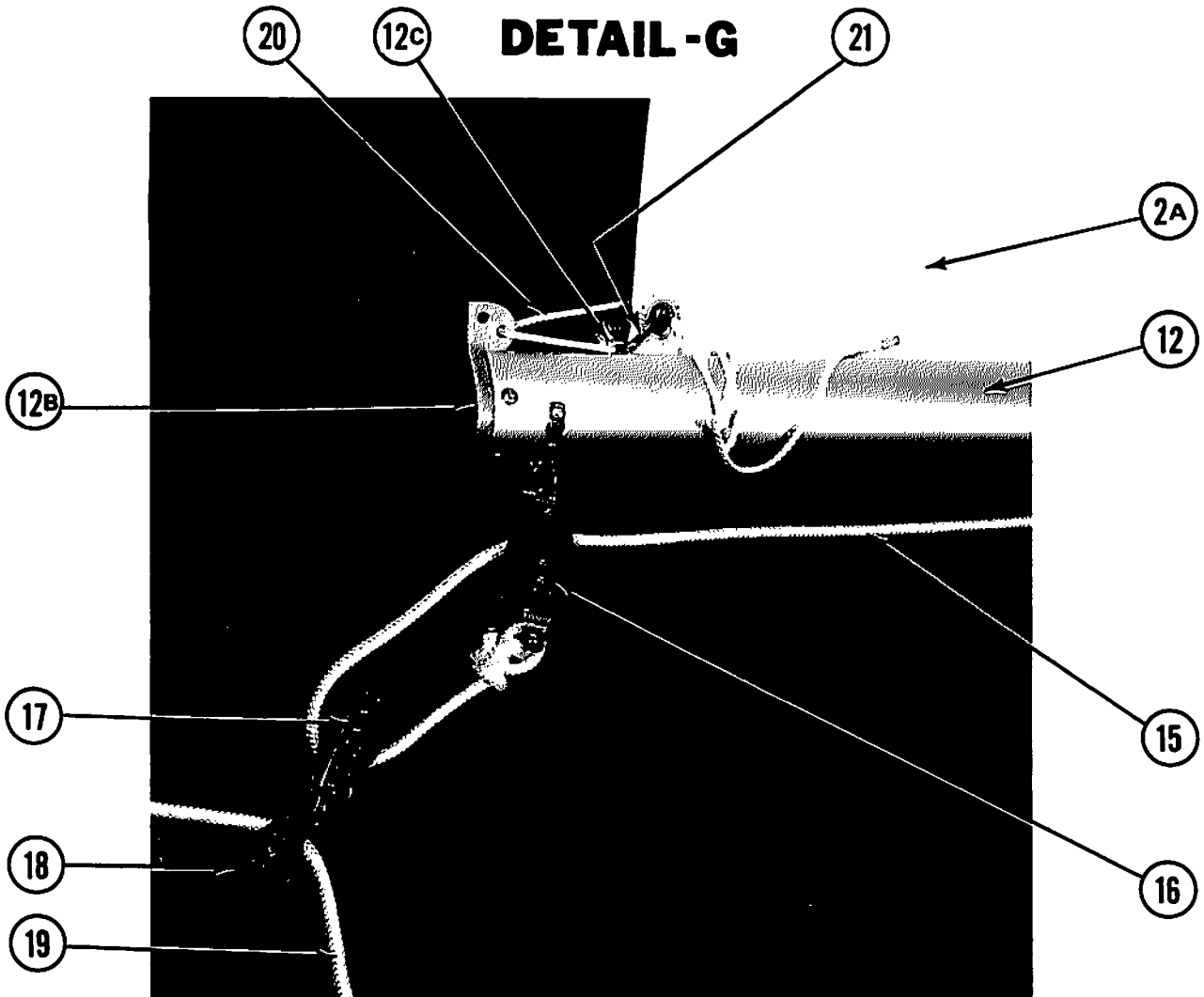
Pirateer

DETAIL - F

REF. NO.	PART NO.	DESCRIPTION
2	25437	Sailset with Battens
2A	85309	Main Sail
2B	85307	Jib Sail (See Detail H Page 373-11)
2C	85308	Battens (Set of 3) Not Shown
12	816092	Boom Assembly
12A	844454	Casting Boom End Forward (See Detail D Page 373-7)
12B	25123	Casting OutHaul (See Detail G Page 373-10)
12C	25433	Nylon Sail Slide (See Detail G Page 373-10)
12D	844445	Track Main Sheet
14	25146	Main Sheet =Boom Block W/ Jam Cleat
15	829152	Main Sheet 5/16" x 25ft.

Pirateer

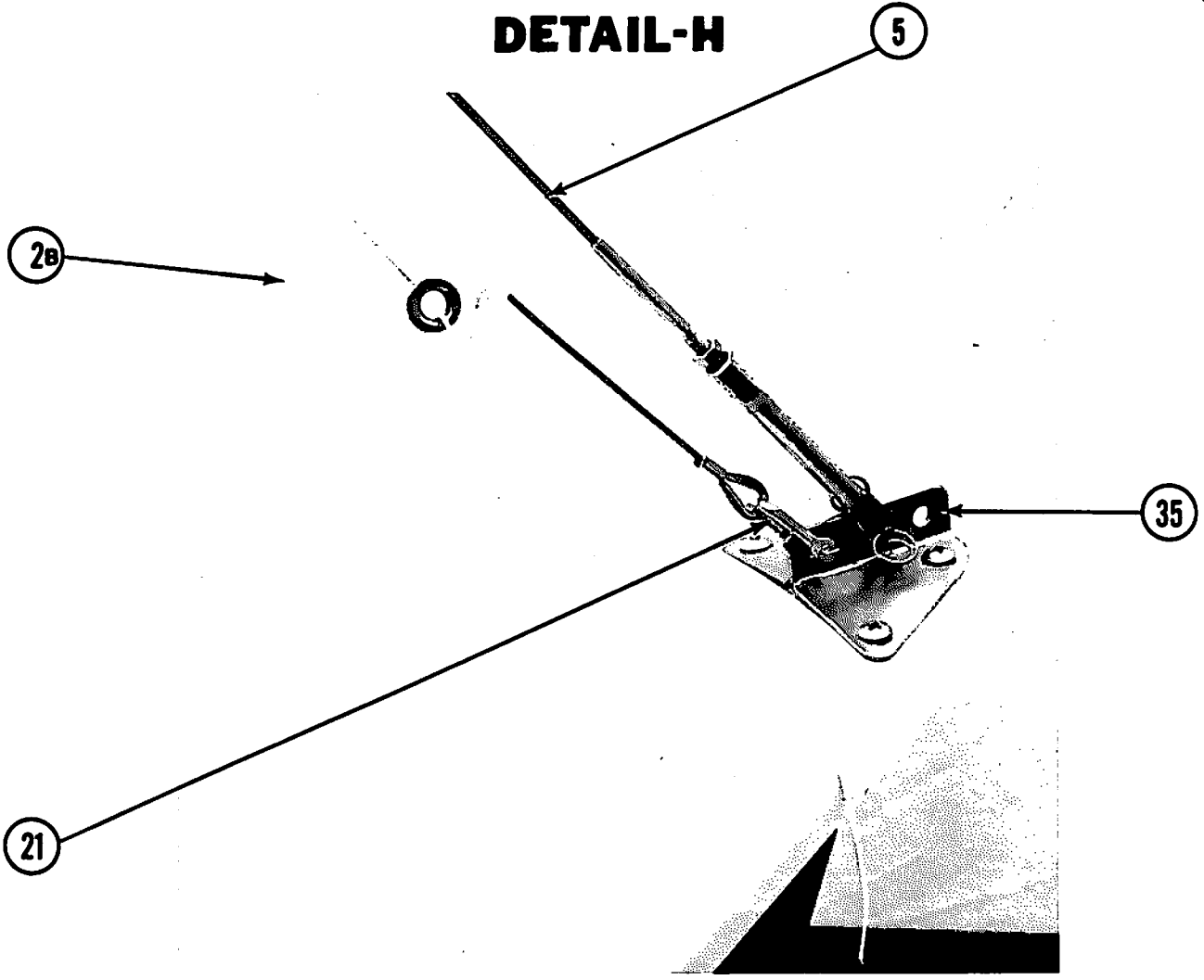
DETAIL - G



REF. NO.	PART NO.	DESCRIPTION
2	25437	Sailset with Battens
2A	85309	Main Sail
2B	85307	Jib Sail (See Detail H Page 373-11)
2C	85308	Battens (Set of 3) Not Shown
12	816092	Boom Assembly
12A	844454	Casting Boom End Forward (See Detail D Page 373-7)
12B	25123	Casting Outhaul (See Detail G Page 373-10)
12C	25433	Nylon Sail Slide (See Detail G Page 373-10)
12D	844445	Track Main Sheet (See Detail F Page 373-9)
15	829152	Main Sheet 5/16" x 25ft.
16	25435	Swivel Block w/Becket
17	25268	Single Block
18	25294	Bullet Block
19	829153	Bridle 5/16" x 72"
20	829154	Outhaul 3/16" x 36" or Downhaul
21	25239	"D" Shackle

Pirateer

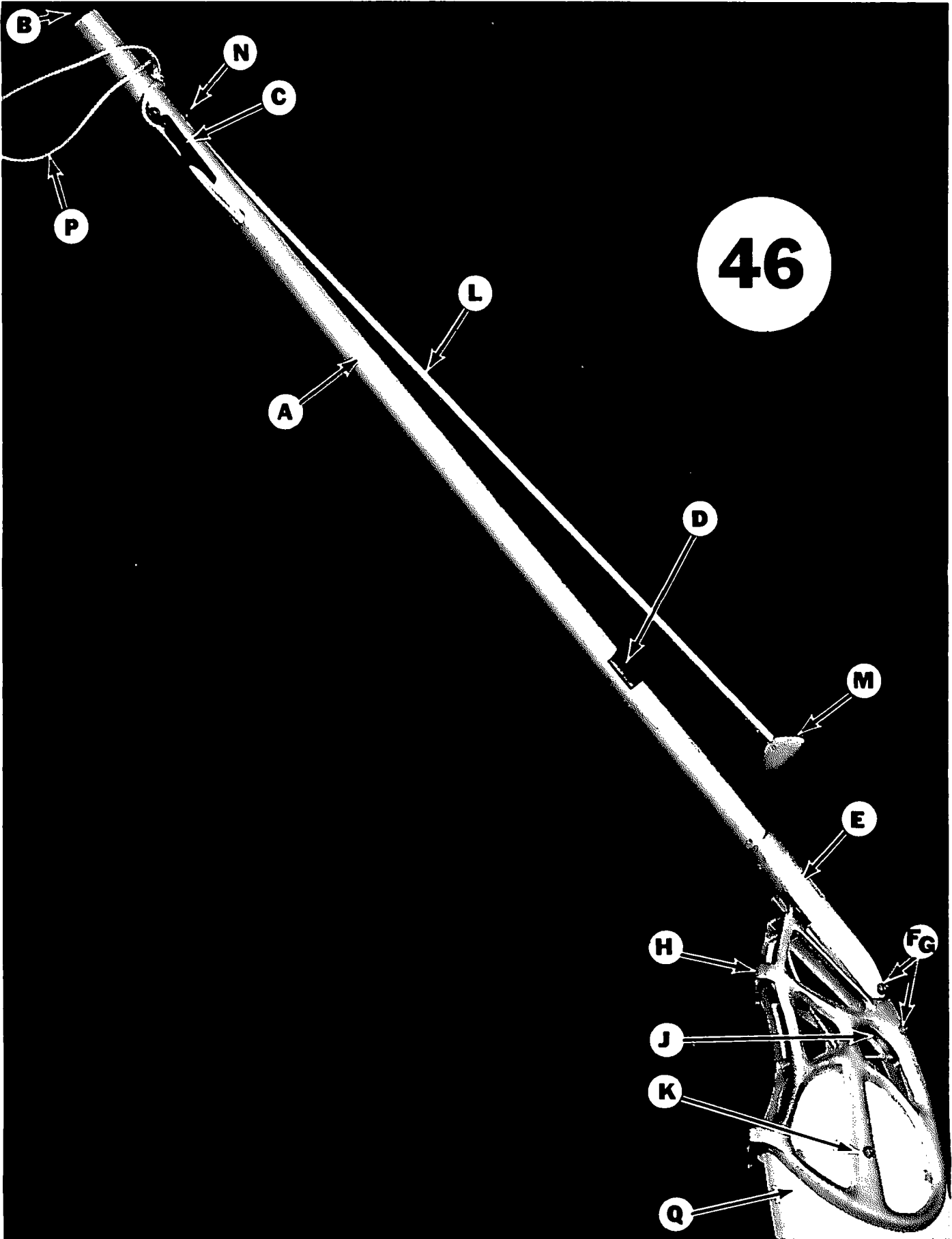
DETAIL-H



REF. NO.	PART NO.	DESCRIPTION
2	25437	Sailset with Battens
2A	85309	Mainsail (See Detail A Page 373-4)
2B	85307	Jib Sail
2C	85308	Battens (Set of 3) Not Shown
5	816093	Forestay 1/8 x 13ft. 1in.
21	25239	"D" Shackle
35	816078	Bow Plate

Pirateer

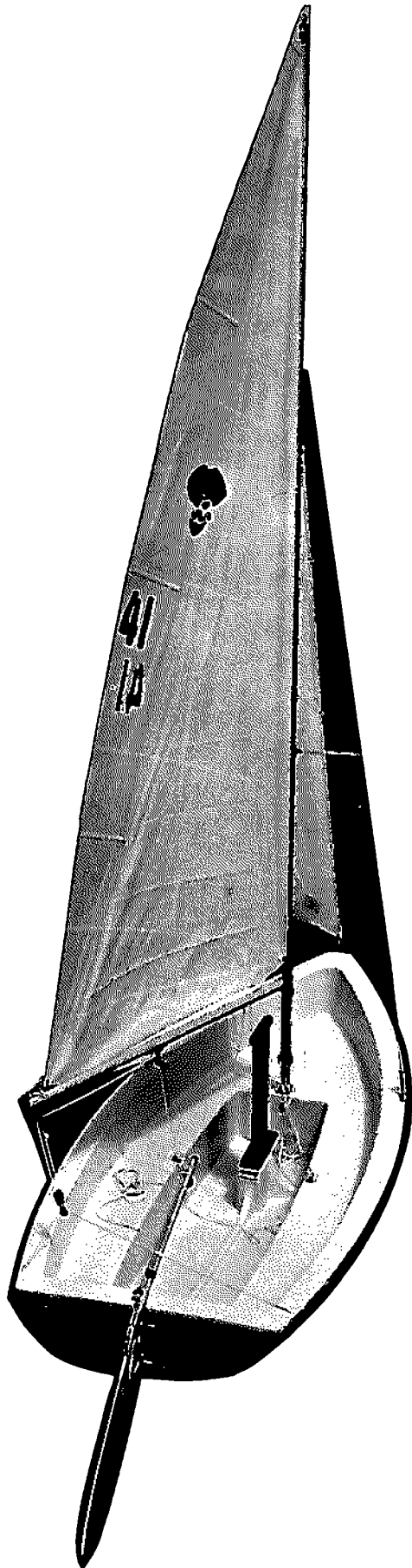
DETAIL - J



Pirateer

REF. NO.	PART NO.	PIRATEER HARDWARE
46	815371	Rudder head and Tiller assembly
46A	815561	Tiller handle (Drilled tubing only)
46B	26705	Plastic cap for Tiller handle Fwd.
46C	25244	Clam Cleat-Tiller Handle
46D	826291	Tiller Clip
46E	26603	Casting for Tiller Handle Aft
46F	31526	Lock Nut 1/4-20
46G	31813	Bolt 1/4" - 20 x 2"
46H	26602	Casting Rudder Head
46J	25204	Sheave
46K	830378	Bushing for rudder blade
46L	815562	Hiking Stick assembly(contains 46M & 46N)
46M	25183	Handle
46N	25286	Swivel
46P	828060	Line for Rudder
46Q	814587	Rudder Blade

Pirateer



MODEL 373 CHRYSLER "PIRATEER" SAILBOAT

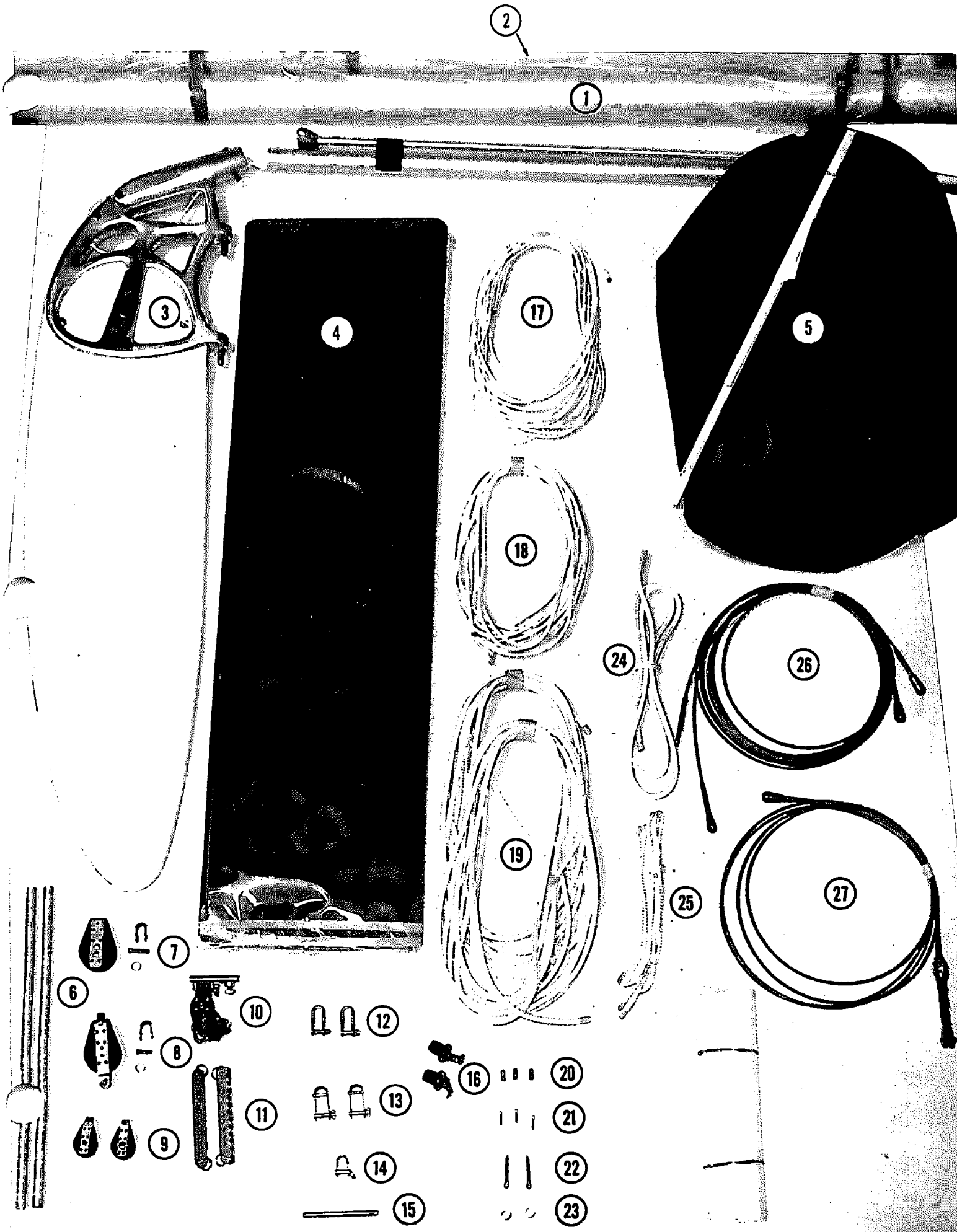
RIGGING INSTRUCTIONS

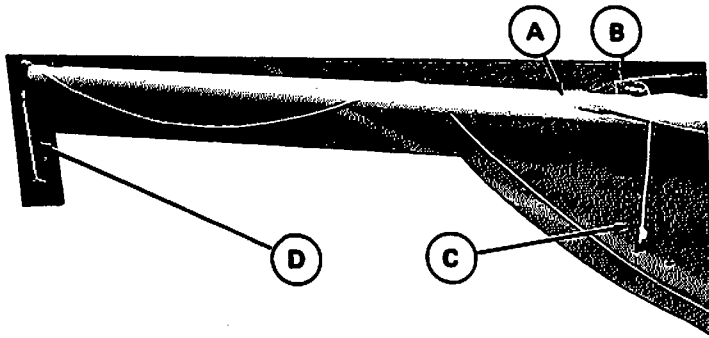
We, at Chrysler Boat Corporation, congratulate you in your selection of our 13 foot Model 373 Pirateer Sailboat. These instructions should enable you to identify all the parts involved and show you their proper location and function on the rigged boat.

Parts List and Nomenclature

Please refer to the photo opposite (page 3) and note that all the parts furnished with your Pirateer are shown and numbered to correspond with the following list:

PHOTO NO.	QUANTITY	ITEM	CHRYSLER PART NO.
1	1 ea.	Mast	816091
2	1 ea.	Boom	816092
3	1 ea.	Rudder and Tiller Assy	815371
4	1 ea.	Daggerboard	25436
5	1 ea.	Sail Set (Main & Jib) and Battens	25437
6	2 ea.	Aluminum Spreader 17" long	844442
7	1 ea.	Block, Single, Harken w/Shackle	25268
8	1 ea.	Block, Swivel, Becket, Harken w/Shackle	25435
9	2 ea.	Block, Bullet, Harken	25294
10	1 ea.	Block, Boom, Main Sheet	25146
11	2 ea.	Shroud Adjuster	25101
12	2 ea.	Shackle, "D"	25239
13	2 ea.	Shackle, Halyard	25023
14	1 ea.	Shackle SM250	25255
15	1 ea.	Pin Mast	25215
16	2 ea.	Drain Plug	22309
17	1 ea.	Main Halyard (3/16"x 36')	829151
18	1 ea.	Jib Halyard (1/4" x 26'8")	829150
19	2 ea.	Sheet, Main or Jib (5/16" x 25')	829152
20	3 ea.	Clevis Pin 3/16 x 1/2	25196
21	3 ea.	Cotter Pin 1/16 x 1/2	25035
22	2 ea.	Cotter Pin 1/8 x 1 1/4	25288
23	2 ea.	Ring, Keeper	31691
24	1 ea.	Bridle (5/16" x 6')	829153
25	2 ea.	Line, Outhaul/downhaul (3/16 x3')	829154
26	2 ea.	Shroud Assy	816094
27	1 ea.	Forestay	816093

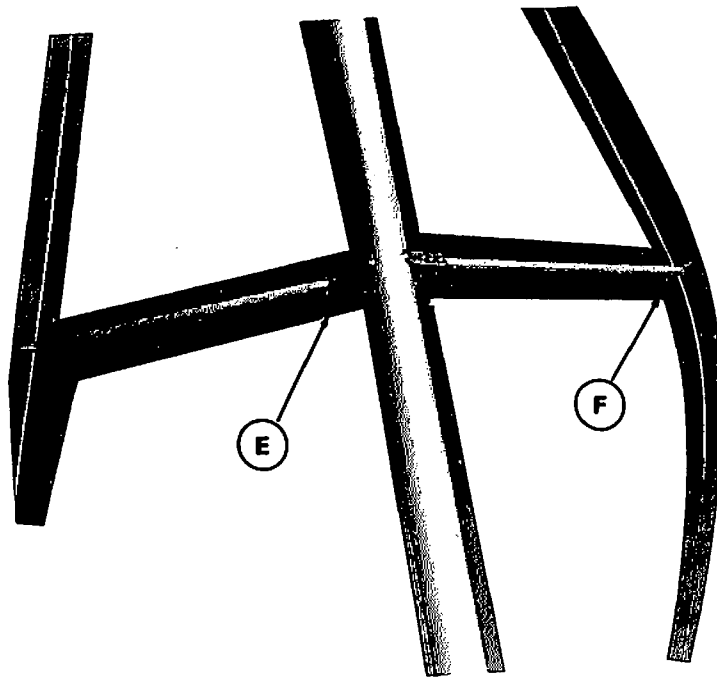




A. Attach the jaw ends of the shrouds and forestay to the mast tangs using the clevis pins (20) and cotter pins (21). The shrouds attach to each side tang and the forestay to the shortest of the two tangs on the forward side of mast.

B. Now attach one of the bullet blocks (9) to the remaining forward tang. Use the shackle (14) for this attachment.

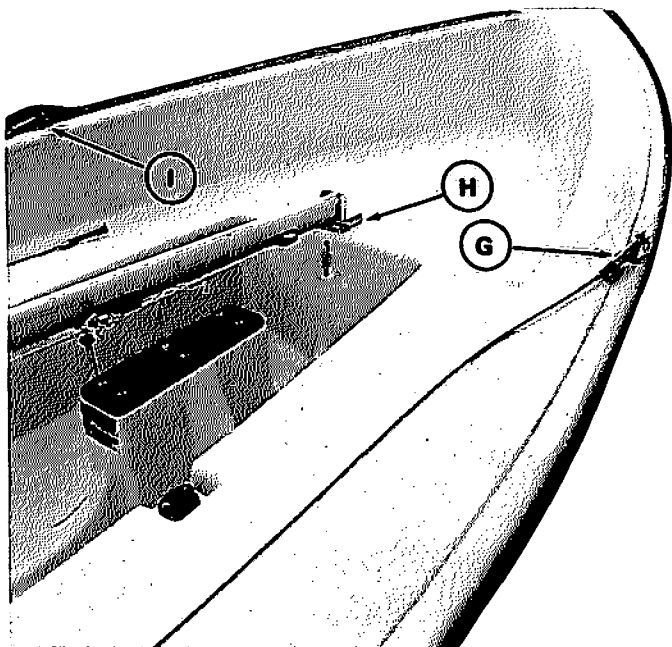
C. Reeve the jib halyard (18) thru this bullet block and tie a halyard shackle (13) to the end that comes out the forward (forestay) side of the block. Lead the jib halyard to the metal cleat on the port side of the mast and secure it there.



D. Reeve the main halyard (17) thru the mast head and tie the other halyard shackle (13) to the end that is on the grooved side of the mast. Tie a "figure 8" knot 10 inches from the shackle. This knot will be engaged in the halyard hook when the sail is raised. Lead the main halyard to the lower black clam cleat on the starboard side of the mast and secure it there.

E. Attach the spreaders (6) to the brackets on each side of the mast.

F. Place the shrouds in the slots at the spreader ends and insert and clinch the cotter pins (22) to keep the shrouds in the slots.

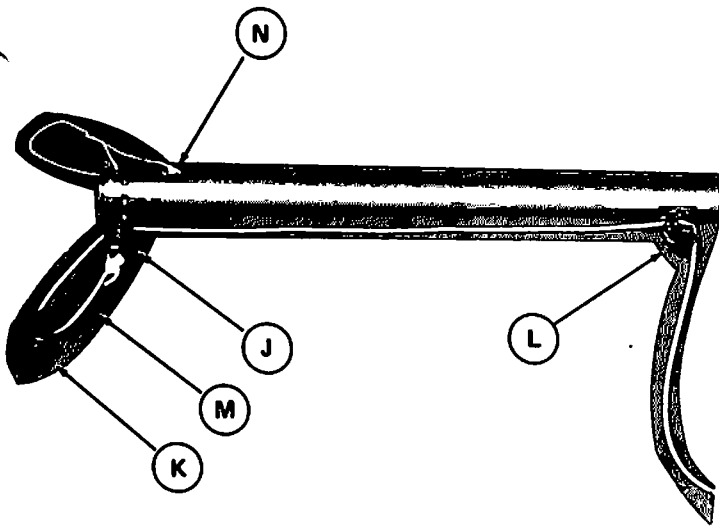


G. Attach a shroud adjuster (11) at the center hole location to the eye end of each shroud.

H. Lay the mast across the transom, groove down, align holes in mast heel with those in the plate on deck, and pin it with the mast pin (15) and the two keeper rings (23).

I. Attach the shroud adjusters to the chain plates, then raise the mast straight up and connect the turnbuckle on the forestay to the center hole in the stem head fitting.

NOTE: At this point, you must adjust turnbuckle and shroud adjuster settings to achieve equal tension on the standing rigging with the mast either plumb to the water line or raked slightly aft. Future adjustments are made after sailing the boat and determining settings for the best balance.



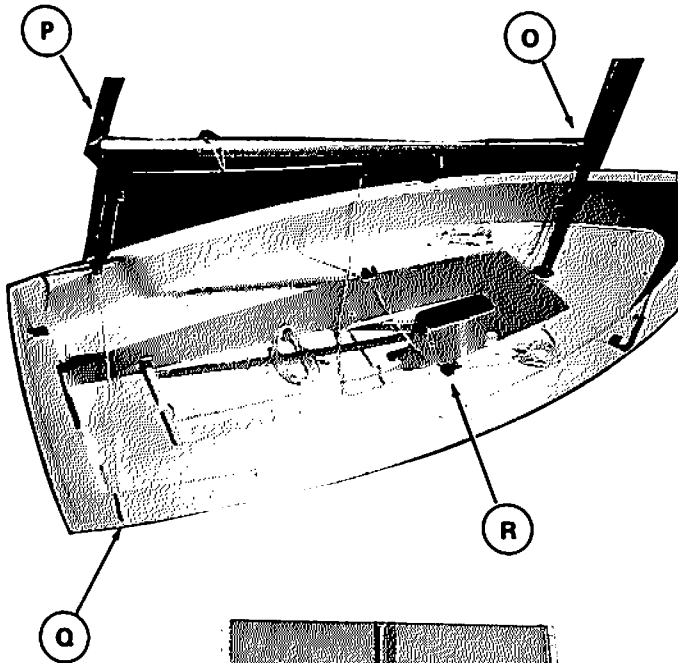
(J.) Shackle the swivel block with becket (8) to the eyestrapped on the underneath side of the clew end of the boom.

(K.) Shackle the remaining bullet block (9) to the single block (7) with the sheaves at right angles to each other.

(L.) Attach the main sheet boom block to the track on the underside of the boom.

(M.) Tie one of the sheets (19) to the becket of the swivel block, reeve it thru the single block, then back thru the swivel block, along the boom, thru the boom block, and thru the strap over the cam cleat. Knot this end.

(N.) Tie one of the outhaul/downhaul lines (25) to the slide in the groove of the boom.

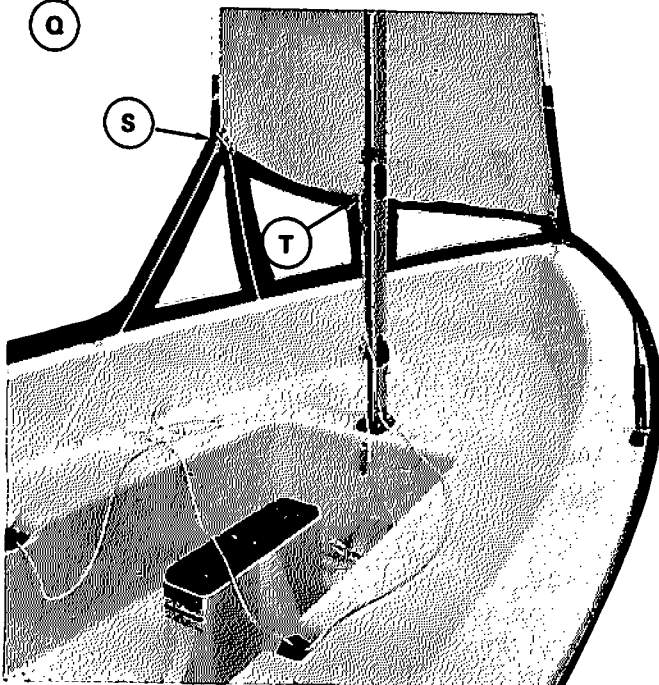


(O.) Insert rod of gooseneck into hole at fwd end of boom.

(P.) Use main halyard as a topping lift to hold boom horizontal.

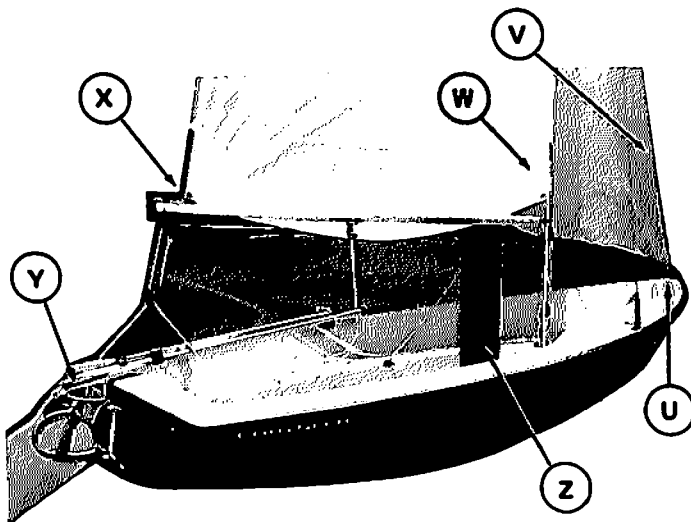
(Q.) Insert one end of rope bridle (24) thru hole at deck side and tie a knot underneath, now reeve it thru the bullet block at the boom and thru the hole in other deck side, tying a knot underneath here also.

(R.) Run remaining sheet (19) thru jib sheet jam cleats as shown .



(S.) Jib sheet will ultimately be attached to the jib clew as shown here.

(T.) Tie remaining outhaul/downhaul line (25) to eye strap on port side of mast just below gooseneck.



(U.) Use one of the "D" shackles (12) to shackle the tack of the jib to the rearmost hole in the stem plate.

(V.) Snap the luff tabs of the jib to the forestay. Attach the jib halyard shackle to the head of the jib. Hoist the jib and tie the halyard off at the aluminum cleat. Tie the ends of the jib sheet to the jib as shown in S.

(W.) Insert the tack of the mainsail into the sail entry slot.

(X.) Use the remaining "D" shackle to attach the clew of the mainsail to the slide in the boom groove. Lace the outhaul line thru the boom casting for adjusting the tension on the foot of the main. Now feed the headboard of the main into the sail entry slot, and bring the main halyard from the boom end and shackle it to the mainsail headboard. Insert the battens into their pockets at the leech of the main. NOTE: These batten pockets have elastic at the bottom. Insert the battens against the elastic and push them in far enough to allow the outer end to tuck under the flap inside the pocket. This contains them securely. Hoist the sail to the top of the mast and engage the knot in the halyard into the halyard hook. The loose end of the halyard is then secured in the black clam cleat at the bottom starboard side of the mast. The small line tied to the eye strap on the port side of the mast is now laced thru the eyelet on the tack of the main, and thru the black clam cleat on the starboard side. This line is the downhaul and puts the tension desired on the luff of the mainsail.

(Y.) Assemble the tiller into the rudder casting with the screw and nut provided. Place the rudder in the gudgeons on the transom and be sure that the rudder lock is in position to keep the rudder from accidentally coming off in case of a capsize.

(Z.) The dagger board may be inserted now or after you are in the water. Install the two drain plugs in the aft end of the cockpit, and close the drain plug on the transom. There she is, all up and ready for water. "HAPPY SAILING"

Make sure there is an approved personal flotation device for each person sailing in the boat. Also, a big thirsty sponge and a small plastic bucket are handy to have along.

We recommend that you make up a small tool packet consisting of a pair of pliers, a slot head screwdriver, a phillips head screwdriver, and a pocket knife or similar cutting tool. Keep this tool packet with your boat at all times.

As you begin to enjoy your Pirateer more and more, we are sure you will want to visit your dealer and inquire about the accessory items offered to make your sailing even more enjoyable. Accessories available are listed below:

- Model 373-939 Jib furling
- Model 373-972 Boom vang
- Model 373-906 Bow cover
- Model 373-985 Ice Chest
- Model 373-966 Hiking straps
- Model 373-964 Outboard motor bracket
- Model 373-965 Spinnaker and gear
- Model 373-967 Cockpit cover
- Model 159-979 Trailer