

Pirateer

Masthead Detail-A
Page 373-4

Tang Detail-B
Page 373-5

Spreader Detail-C
Page 373-6

Stemhead Detail-H
Page 373-11

Gooseneck Detail-D
Page 373-7

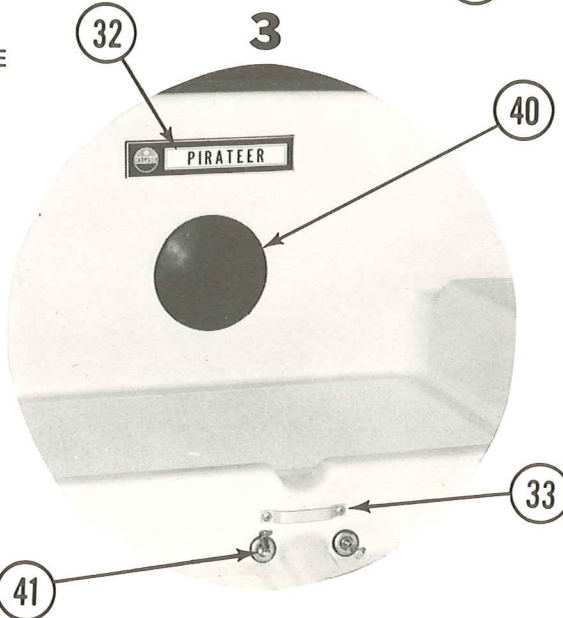
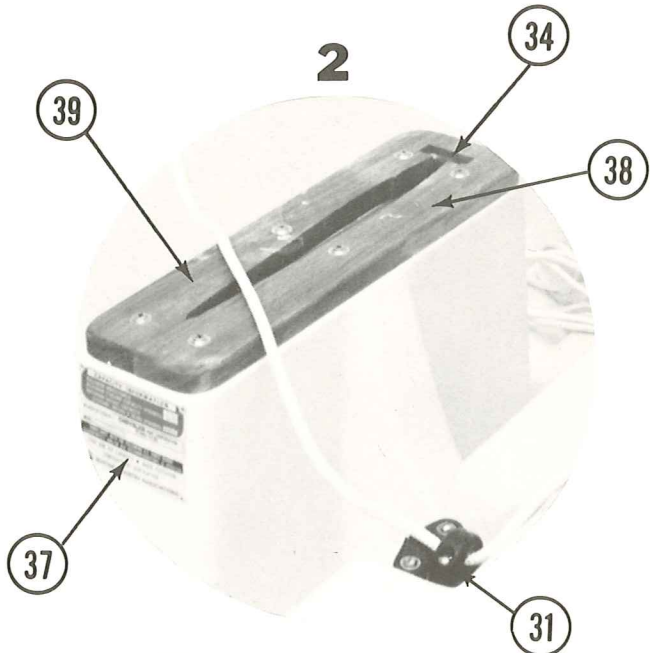
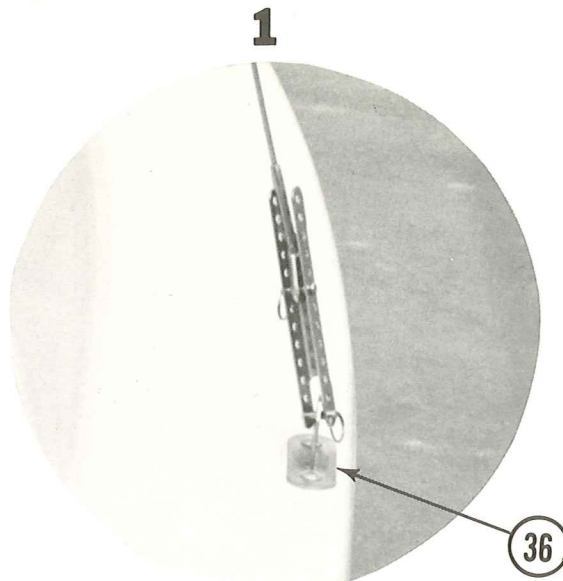
Midboom Detail-F
Page 373-9

Mainsheet Detail-G
Page 373-10

Mastheel Detail-E
Page 373-8

Rudder Detail-J
Page 373-12

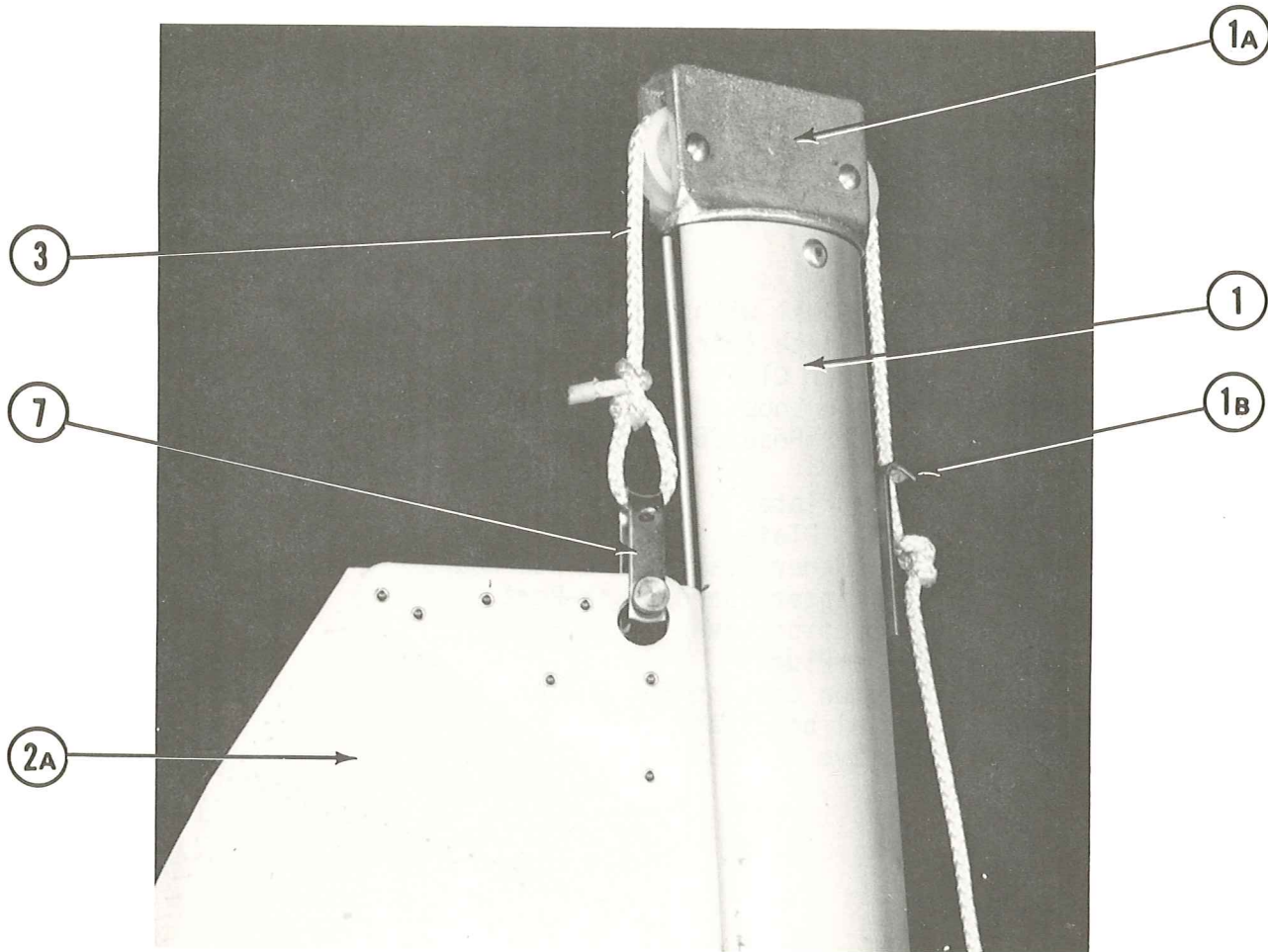
Pirateer



REF. NO.	PART NO.	DESCRIPTION
	814580	Warranty Packet
	51503	Gelcoat-Off White-Exterior
	800872	Repair Kit Off White-Exterior
	51605	Gelcoat-Orange-Exterior
	801963	Repair Kit-Orange-Exterior
31	25429	Clam Cleat with Fairlead
32	26887	I.D. Plate (Pirateer)
32A	31621	Fastener Clip
33	814582	Footman Loop
34	829164	Snubber Hose-26877-5/8 x 2"
36	816076	Chain Plate
37	26909	B.I.A. Plate
38	25438	Cap Dagger Board Trunk-Starboard
39	25439	Cap Dagger Board Trunk-Port
40	25226	Inspection Cover-
41	25249	Drain Plug
42	25450	Gudgeon Casting For Rudder
43	842969	Serial no. Plate
44	24372	Bow Eye

Pirateer

DETAIL - A



REF. NO.	PART. NO.	DESCRIPTION
1	816091	Mast Assembly (Contains 1A thru 1L)
1A	25119	Mast Head Casting
1B	25265	Halyard Hook
1C	25127	Tang (See Detail B Page 373-5)
1D	25128	Tang (See Detail B Page 373-5)
1E	25133	Spreader Bracket (See Detail C Page 373-6)
1F	25434	Goose Neck (See Detail D Page 373-7)
1G	25244	Clam Cleat (See Detail D Page 373-7)
1H	25110	Strap (Not Shown-Located just below Gooseneck-Port)
1J	25086	Cleat Spar 3 1/4" (See Detail E Page 373-8)
1K	844453	Casting Mast Heel (Drilled & Tapped)(SeeDetail-E Page 373-8)
1L	816054	Mast Heel Plate (See Detail E Page 373-8)
2	25437	Sail Set with Battens
2A	85309	Main Sail
2B	85307	Jib Sail (See Detail B Page 373-5)
2C	85308	Battens (Set of 3) Not Shown
3	829151	Main Halyard 3/16" x 36ft.
7	25023	Shackle (Halyard)

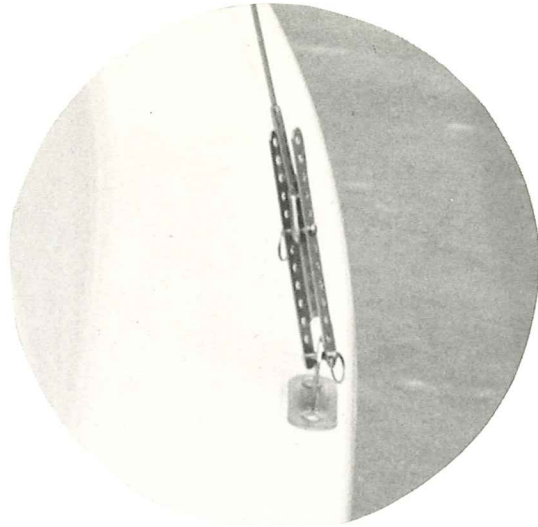
Pirateer

Pirateer

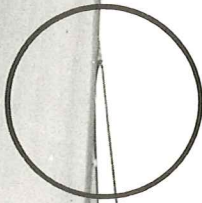
Masthead Detail-A
Page 373-4



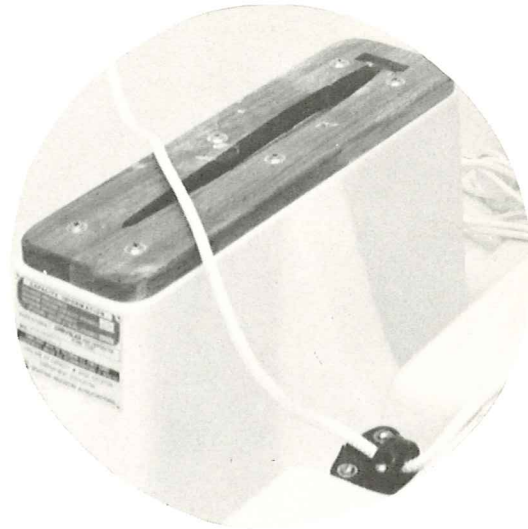
1



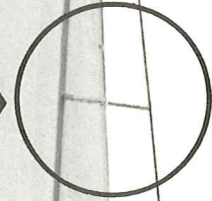
Tang Detail-B
Page 373-5



2



Spreader Detail-C
Page 373-6



Stemhead Detail-H
Page 373-11



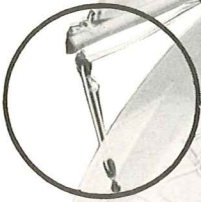
Gooseneck Detail-D
Page 373 -7



Midboom Detail-F
Page 373-9



Mainsheet Detail-G
Page 373-10



Mastheel Detail-E
Page 373-8



3



Rudder Detail-D
Page 373 -12

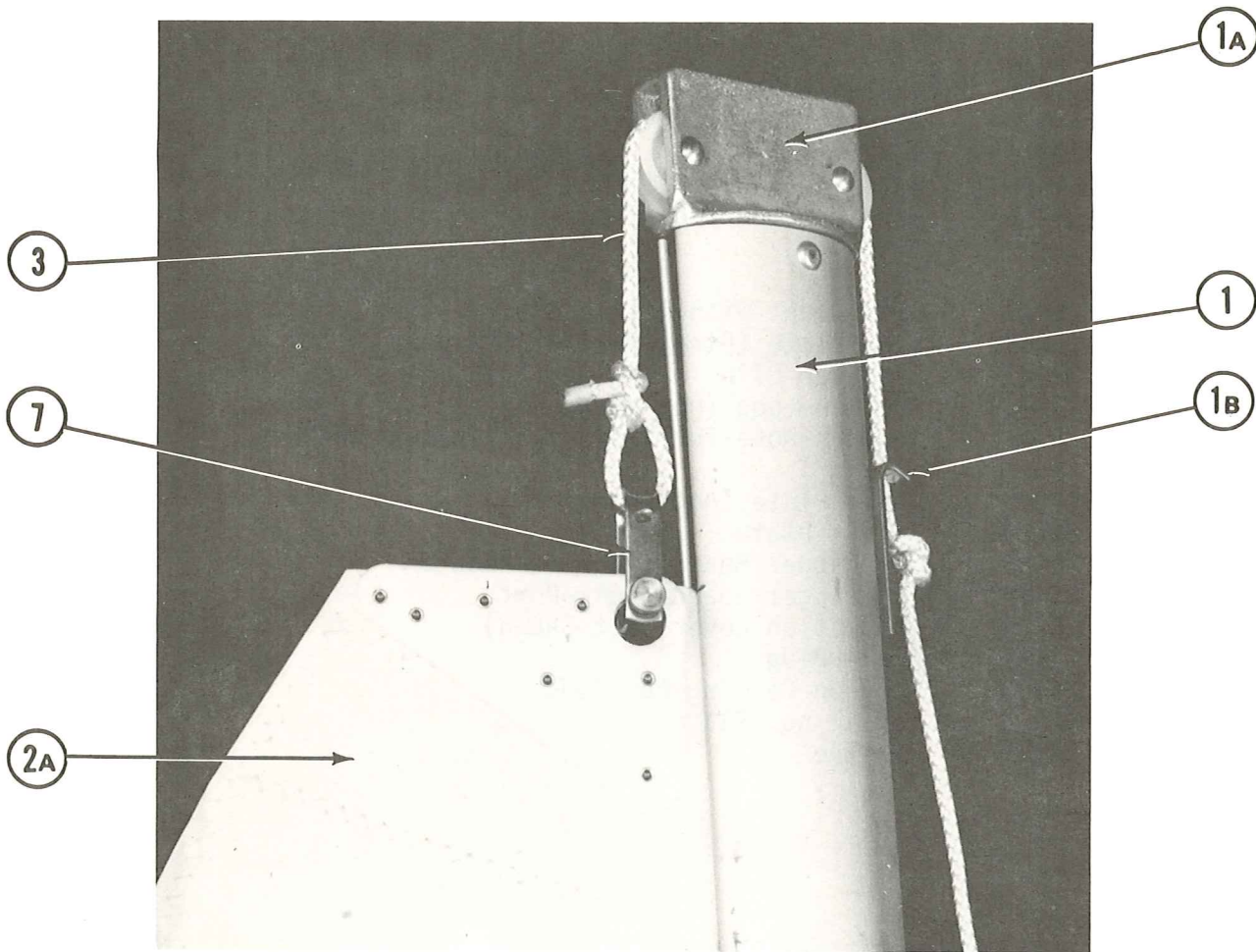


Pirateer

REF. NO.	PART NO.	DESCRIPTION
	814580	Warranty Packet
	51503	Gelcoat-Off White-Exterior
	800872	Repair Kit Off White-Exterior
	51605	Gelcoat-Orange-Exterior
	801963	Repair Kit-Orange-Exterior
31	25429	Clam Cleat with Fairlead
32	26887	I.D. Plate (Pirateer) Not Shown
32A	31621	Fastener Clip
33	814582	Footman Loop (not shown)
34	829164	Snubber Hose-26877-5/8 x 2" (not shown)
36	816076	Chain Plate (not shown)
37	26909	B.I.A. Plate
38	25438	Cap Dagger Board Trunk-Starboard
39	25439	Cap Dagger Board Trunk-Port
40	25226	Inspection Cover-(Not Shown)
41	25249	Drain Plug
42	25450	Gudgeon Casting For Rudder
43	842969	Serial no. Plate
44	24372	Bow Eye

Pirateer

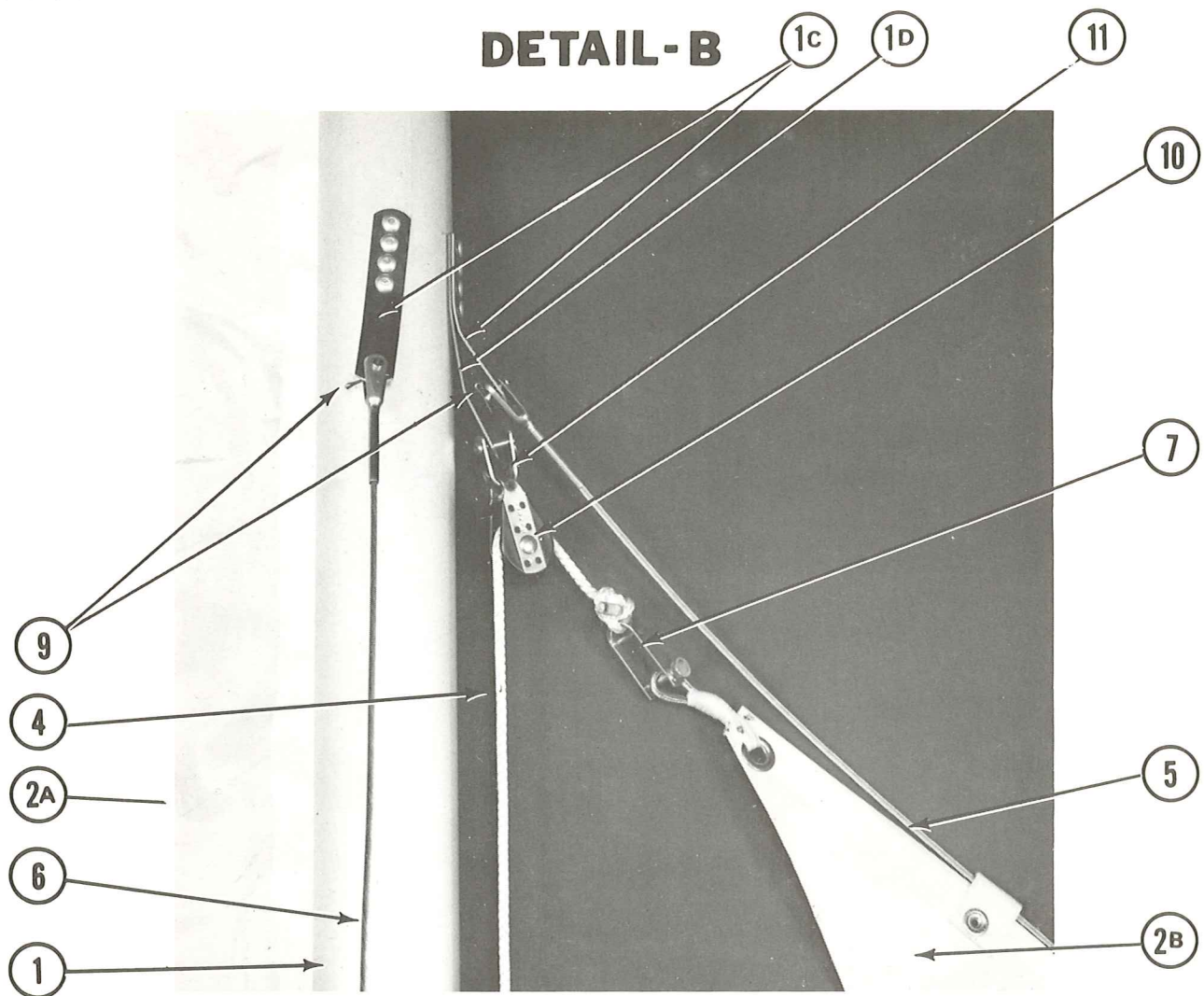
DETAIL - A



REF. NO.	PART. NO.	DESCRIPTION
1	816091	Mast Assembly (Contains 1A thru 1L)
1A	25119	Mast Head Casting
1B	25265	Halyard Hook
1C	25127	Tang (See Detail B Page 373-5)
1D	25128	Tang (See Detail B Page 373-5)
1E	25133	Spreader Bracket (See Detail C Page 373-6)
1F	25434	Goose Neck (See Detail D Page 373-7)
1G	25244	Clam Cleat (See Detail D Page 373-7)
1H	25110	Strap (Not Shown-Located just below Gooseneck-Port)
1J	25086	Cleat Spar 3/4" (See Detail E Page 373-8)
1K	844453	Casting Mast Heel (Drilled & Tapped)(SeeDetail-E Page 373-8)
1L	816054	Mast Heel Plate (See Detail E Page 373-8)
2	25437	Sail Set with Battens
2A	85309	Main Sail
2B	85307	Jib Sail (See Detail B Page 373-5)
2C	85308	Battens (Set of 3) Not Shown
3	829151	Main Halyard 3/16" x 36ft.
7	25023	Shackle (Halyard)

Pirateer

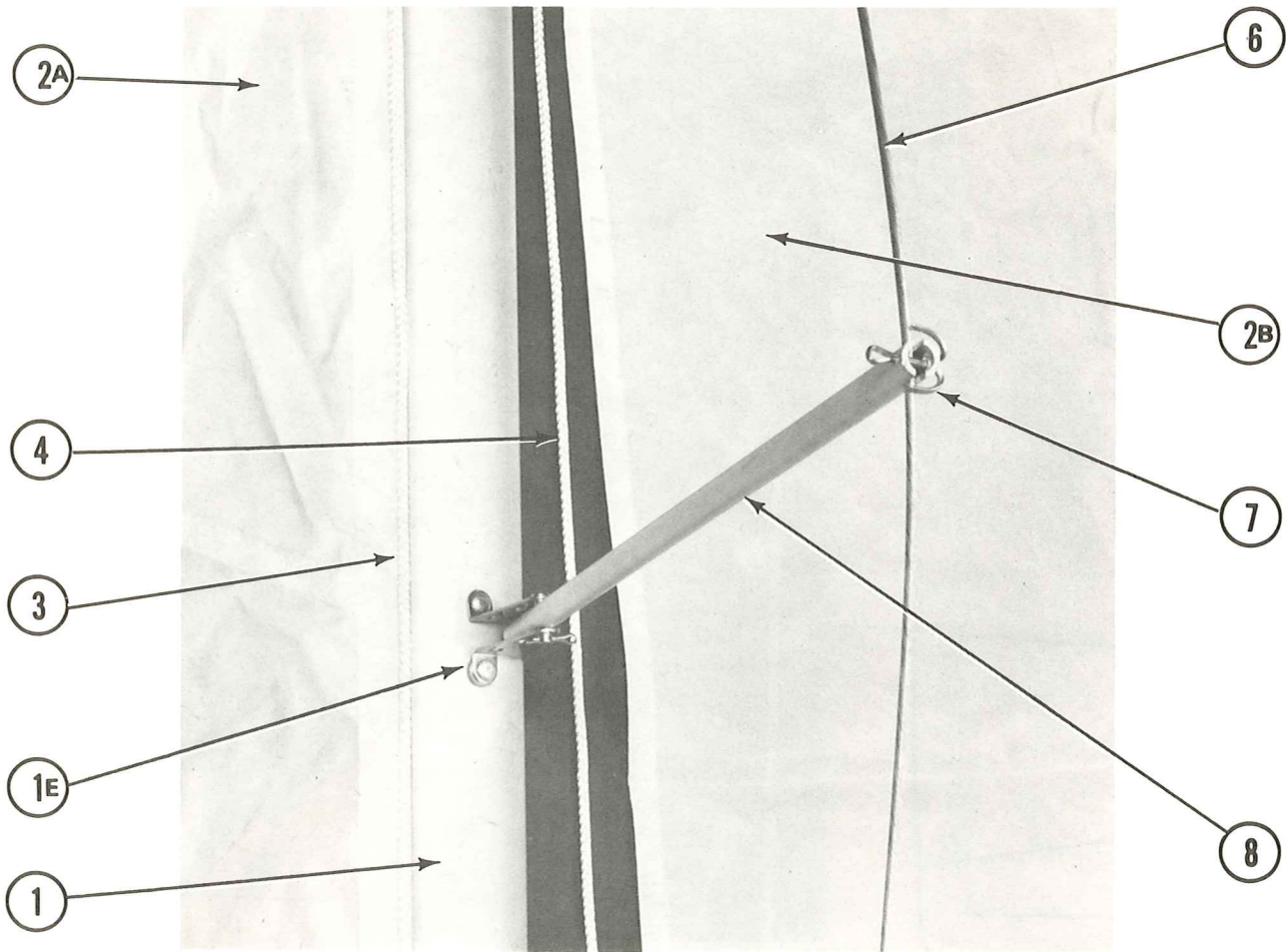
DETAIL-B



REF. NO.	PART NO.	DESCRIPTION
1	816091	Mast Assembly (Contains 1A thru 1L)
1A	25119	Mast Head Casting (See Detail A Page 373-4)
1B	25265	Halyard Hook (See Detail A Page 373-4)
1C	25127	Tang (Forestay)
1D	25128	Tang (Jib Block)
1E	25133	Spreader Bracket (See Detail C Page 373-6)
1F	25434	Goose Neck (See Detail D Page 373-7)
1G	25244	Clam Cleat (See Detail D Page 373-7)
1H	25110	Strap (Not Shown-Located Just Below Gooseneck-Port)
1J	25086	Cleat Spar 3 1/4" (See Detail E Page 373-8)
1K	844453	Casting Mast Heel (Drilled & Tapped) (See Detail E Page 373-8)
1L	816054	Mast Heel Plate (See Detail E Page 373-8)
2	25437	Sailset with Battens
2A	85309	Main Sail (See Page 373-4 Detail A)
2B	85307	Jib Sail
2C	85308	Battens (Set of 3) Not Shown
4	829150	Jib Halyard 1/4" x 26ft. 8 in.
5	816093	Forestay 1/8 x 12ft. 1 in.
6	816094	Shroud 1/8 x 12ft. 10in.
7	25023	Shackle (Halyard)
9	25035	Cotter Pin 1/16" x 1/2"
10	25294	Bullet Block (Jib)
11	25255	Shackle (Jib Tang)

Pirateer

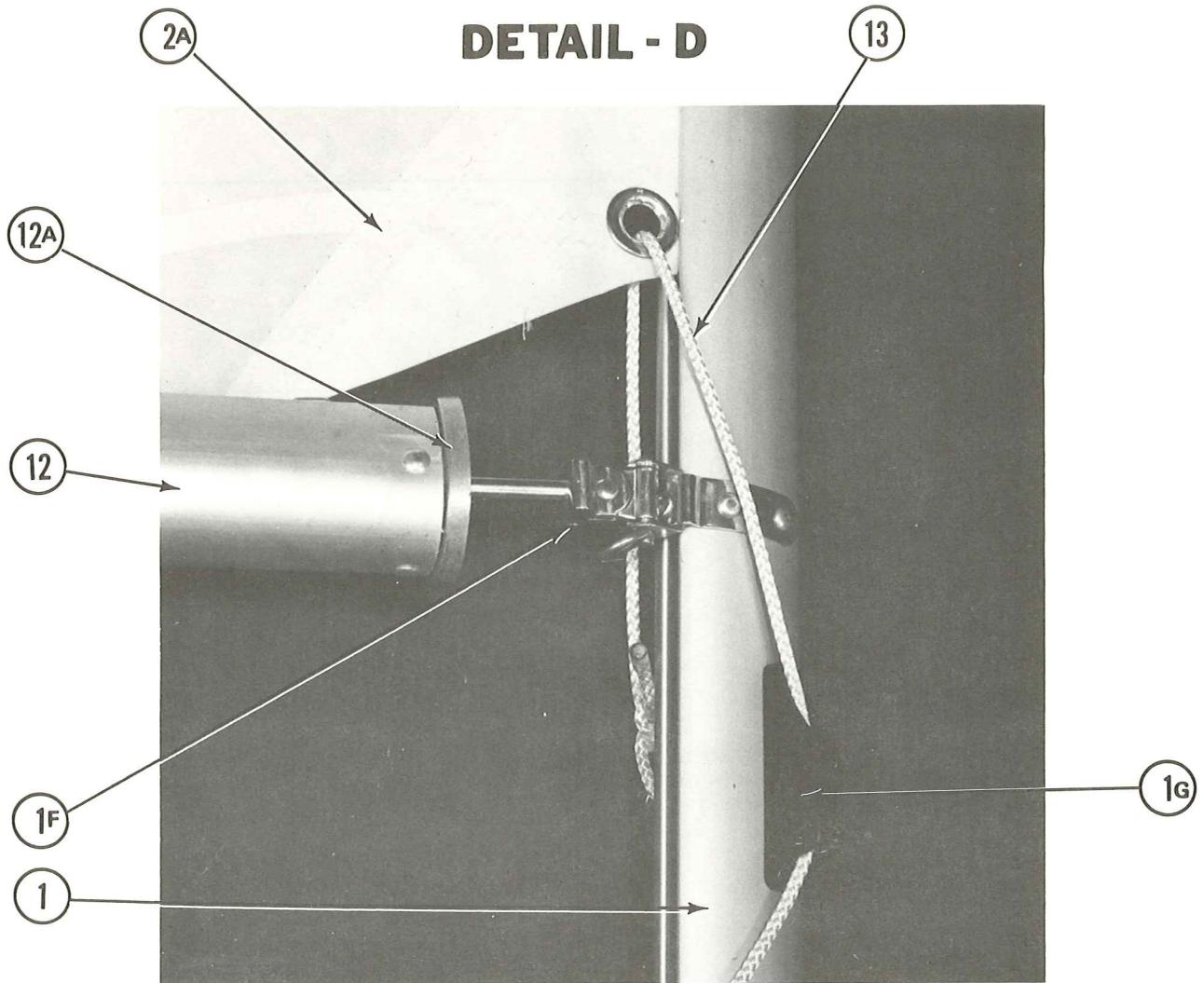
DETAIL-C



REF. NO.	PART NO.	DESCRIPTION
1	816091	Mast Assembly (Contains 1A Thru 1L)
1A	25119	Mast Head Casting (See Detail A Page 373-4)
1B	25265	Halyard Hook (See Detail A Page 373-4)
1C	25127	Tang (See Detail B Page 373-5)
1D	25128	Tang(See Detail B Page 373-5)
1E	25133	Spreader Bracket with Clevis Pin & Cotter Pin
1F	25434	Gooseneck (See Detail D Page 373-7)
1G	25244	Clam Cleat (See Detail D Page 373-7)
1H	25110	Strap (Not Shown-Located Just Below Gooseneck-Port)
1J	25086	Cleat Spar 3 1/4" (See Detail E Page 373-8)
1K	844453	Casting Mast Heel (Drilled & Tapped)(See Detail E Page 373-8)
1L	816054	Mast Heel Plate (See Detail E Page 373-8)
2	25437	Sailset with Battens
2A	85309	Main Sail
2B	85307	Jib Sail
2C	85308	Battens (Set of #3) Not Shown
4	829150	Jib Halyard 1/4" x 26ft. 8in.
6	816094	Shroud 1/8" x 12ft. 10in.
7	25288	Cotter Pin 1/8" x 1 1/4"
8	844442	Spreader
3	829151	Main Halyard 3/16" x 36ft.

Pirateer

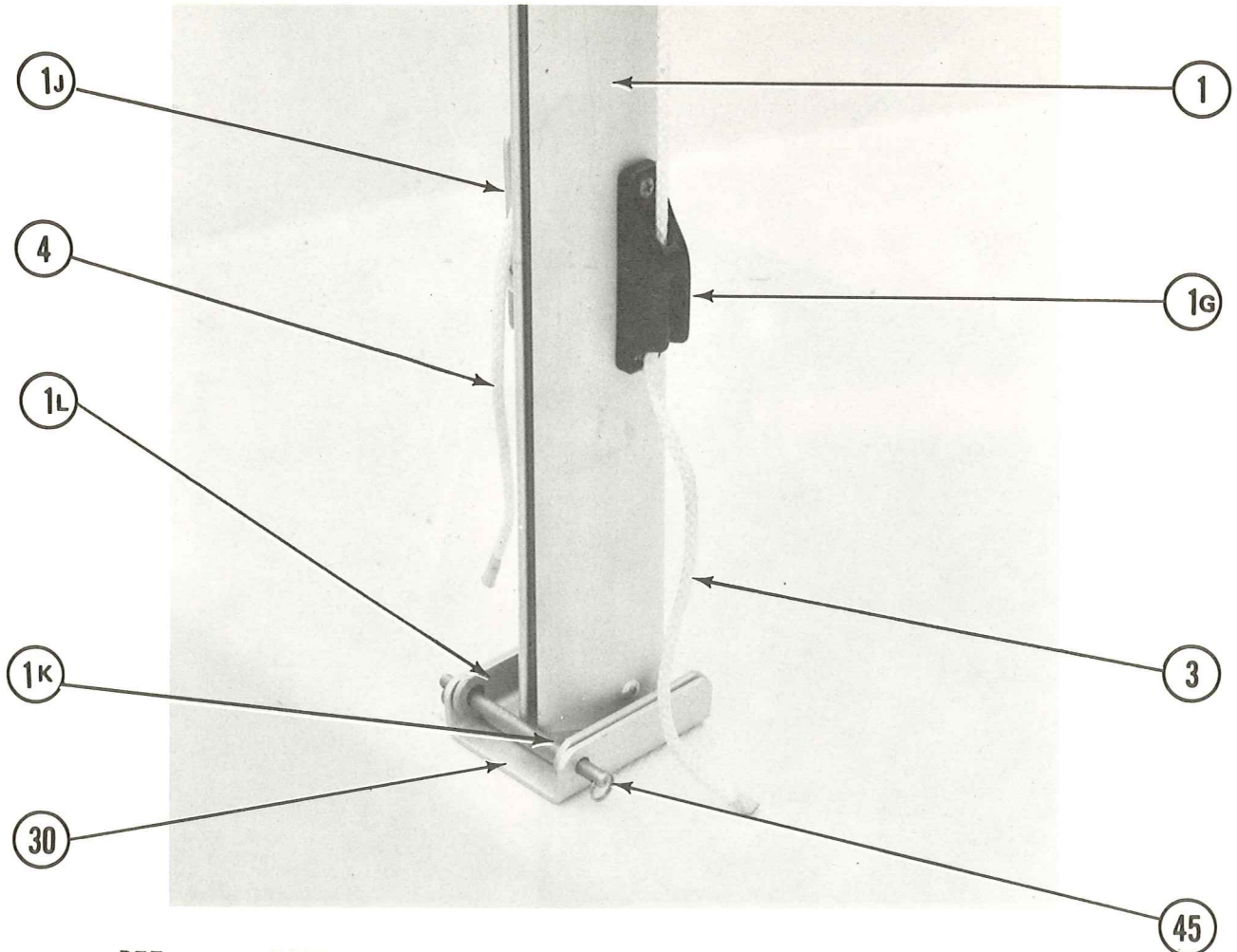
DETAIL - D



REF. NO.	PART NO.	DESCRIPTION
1	816091	Mast Assembly (Contains 1A thru 1L)
1A	25119	Mast Head Casting (See Detail A page 373-4)
1B	25265	Halyard Hook (See Detail A Page 373-4)
1C	25127	Tang (See Detail B Page 373-5)
1D	25128	Tang (See Detail B Page 373-5)
1E	25133	Spreader Bracket (See Detail C Page 373-6)
1F	25434	Gooseneck
1G	25244	Clam Cleat
1H	25110	Strap (Not Shown-Located Just Below Gooseneck-Port)
1J	25086	Cleat Spar 3 1/4" (See Detail E Page 373-8)
1K	844453	Casting Mast Heel (Drilled & Tapped)(See Detail E Page 373-8)
1L	816054	Mast Heel Plate (See Detail E Page 373-8)
2	25437	Sailset with Battens
2A	85309	Main Sail
2B	85307	Jib Sail (See Detail B Page 373-5)
2C	85308	Battens (Set of 3) Not Shown
12	816092	Boom Assembly
12A	844454	Casting Forward Boom End
12B	25123	Casting Outhaul *(See Detail G Page 373-10)
12C	25433	Nylon Sail Slide (See Detail G Page 373-10)
12D	844445	Track Main Sheet (See Detail F Page 373-9)
13	829154	Down Haul 3/16" x 36" (or Outhaul See Page 373-10)

Pirateer

DETAIL-E



REF. NO.	PART NO.	DESCRIPTION
1	816091	Mast Assembly *(Contains 1A thru 1L)
1A	25119	Mast Head Casting(See Detail A Page 373-4)
1B	25265	Halyard Hook (See Detail A Page 373-4)
1C	25127	Tang (See Detail B Page 373-5)
1D	25128	Tang (See Detail B Page 373-5)
1E	25133	Spreader Bracket (See Detail C Page 373-6)
1F	25434	Gooseneck (See Detail D Page 373-7)
1G	25244	Clam Cleat (See Detail D Page 373-7)
1H	25110	Strap (Not Shown-Located Just Below Gooseneck-Port)
1J	25086	Cleat Spar 3 1/4"
1K	844453	Casting Mast Heel (Drilled & Tapped)
1L	816054	Mast Heel Plate
3	829151	Main Halyard 3/16" x 36ft.
4	829150	Jib Halyard 1/4in x 28ft. 8in.
30	816053	Mast Step
45	25215	Pin Mast